

SOLUTIONS FOR INDUSTRIAL ECOSYSTEMS

NEW ^{23 | 01} PRODUCTS

FATH

INTRO

1

ENGINEERING COMPONENTS

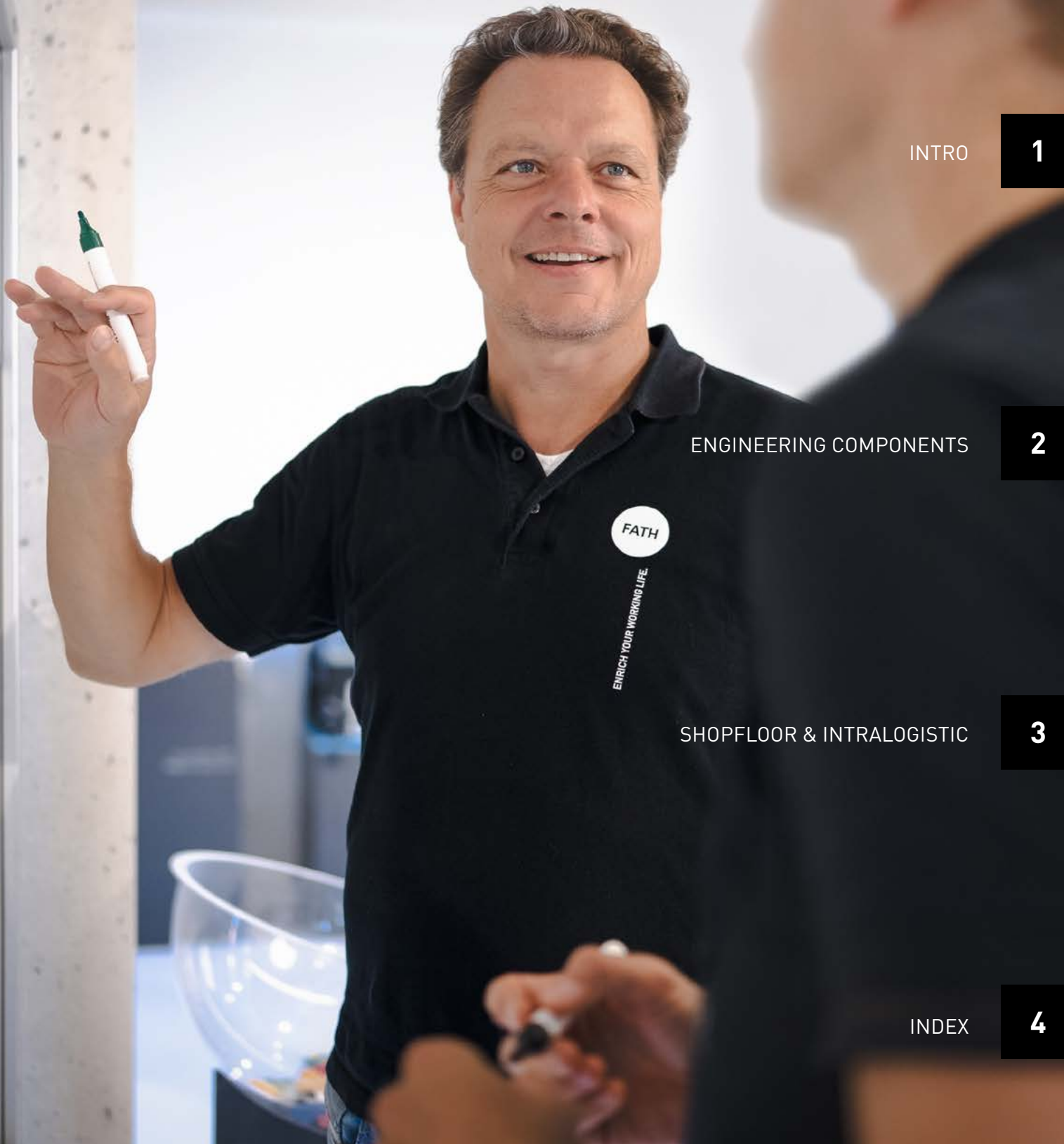
2

SHOPFLOOR & INTRALOGISTIC

3

INDEX

4



FATH

**NEW
PRODUCTS**



Always well advised.

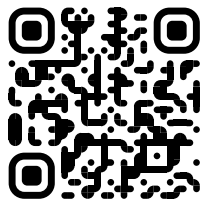
At **FATH**, the **focus is on people**. We rely on holistic solutions that follow our guiding principle. **ENRICH YOUR WORKING LIFE.**

Everything we offer you should work together effectively: Individual products, system solutions and service! You decide when and in what form you want to use our services – digitally or in person. The **FATH** experts provide you with individual support tailored to your applications so you can quickly find the ideal solution for your requirements.

FATH SERVICE

FATH Contact Person:

Some questions are best addressed through conversation or email. Our Parts & Solutions Consultants provide personalized guidance, drawing on their practical experience and expertise.



You can find your dedicated contact person who can offer tailored support at:

fath24.com/your-contact-persons

WE ARE HERE FOR YOU:



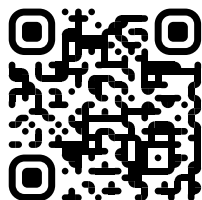
+49 9175 7909-200



sales@fath24.com

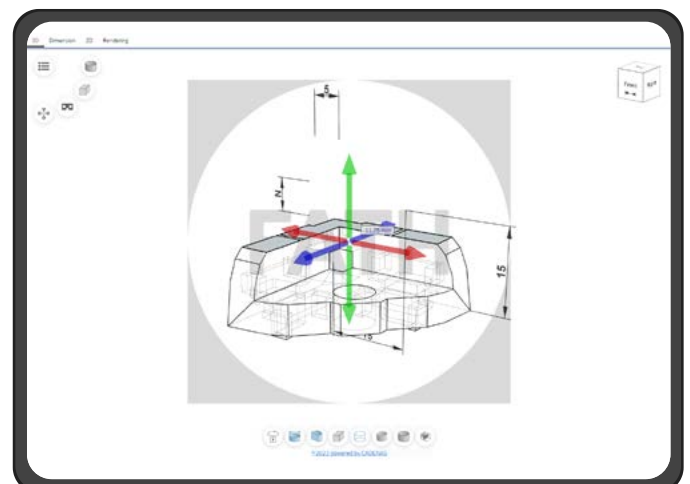
FATH Website:

You can find more information on **FATH** products very easily using the product search on our website.



Find out about **FATH** products or download 3D data here:

fath24.com/portfolio/products



CONTENT



INTRO

FATH is one of Bavaria's 50 best.

1



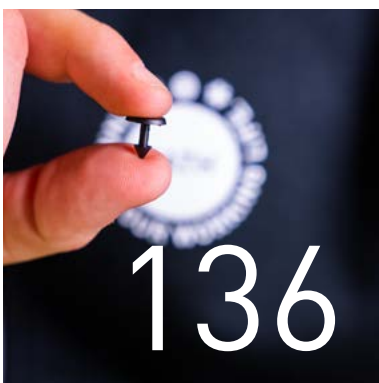
ENGINEERING COMPONENTS

2



SHOPFLOOR & INTRALOGISTICS

3



INDEX

Part number index
Alphabetical index

4

Courage pays off

FATH COMES AMONG BAVARIA'S BEST 50.



Wido FATH, Managing Partner & Managing Director of FATH

TWO BROTHERS, ONE MACHINE AND BIG PLANS

30 years have passed since Mirko Jan Fath and his father Werner started manufacturing plastic parts in a historic barn using a second-hand injection molding machine. A little later, Wido Fath, with his newly acquired business knowledge, joined them and the exciting journey to becoming an international group of companies began. With courage and drive, the brothers opened up new areas of business and expanded their company internationally. Today, **FATH** is one of the leading developers and manufacturers of mechanical engineering components, including components for aluminum profile systems. These products and solutions form the backbone of manual and automated manufacturing or are used in special machine and plant engineering.

A DIVERSIFIED GROUP OF COMPANIES WITH CURIOSITY AND DRIVE

The ability to recognize trends and the courage to consistently exploit opportunities as they arise form

the basis for the strong and rapid development of **FATH**. Initially, the existing component portfolio was expanded to include Shopfloor products for process visualization and material provision. Based on experience from its own industrial production and supported by experienced LEAN experts, **FATH** works with customers to achieve enormous increases in efficiency in industrial processes – in line with the LEAN principle. The next area of focus was logistics, which has grown exponentially in recent years due to the rise of e-commerce and a fundamental change in consumer behavior. The acquisition of Dutch manufacturer Flowsort was the right step to enable us to offer practical and cost-effective intralogistics automation solutions that can be used almost anywhere thanks to their modularity and system openness. Flowsort's sorting modules are used worldwide to sort parcels in distribution centers of well-known e-commerce and logistics companies. As a new part of the FATH ecosystem, Flowsort has immediately received a significant development boost, with the Speedflow Compact series offering decisive practical advantages.

The Ministry for Economic Affairs, Regional Development and Energy awards FATH the "Bavaria's Best 50" prize. As such, the Ministry recognizes FATH as one of Bavaria's fastest-growing companies.

BAYERN'S
BEST 50

WINNER 2023





Roland Weigert (Bavarian Economic State Secretary), Till Zupancic and Mirko Jan FATH (both managing directors of FATH), Marcus von Goldacker (member of the jury).
Photography by: SX Heuser.

NO MATTER HOW GOOD IT IS, YOU CAN ALWAYS MAKE IT BETTER

The difference is in the detail - and this is where high precision specialist CEMEC really knows its stuff: As part of the FATH ecosystem, the company optimizes existing technology solutions with high engineering skills and manufacturing precision derived from the aerospace industry. As a result, rollers become a touch smoother, conveyor belts gentler but more efficient and footprints even more compact.



Martin Schwab, Managing Director of CEMEC

This year saw the next major step in growth: **FATH** has established itself as an important partner to the most renowned manufacturers of solar mounting systems. In the course of the rapid growth of the solar industry, **FATH** meets the great demand for special components such as solar module clamps, aluminum roof hooks and various plastic accessories. The experience of over 30 years production and continuous development in conjunction with its own production sites worldwide – including Germany and Europe – offers customers great advantages. In order to continue to be able to deliver reliably and flexibly in Europe, **FATH** has very quickly established

further new production sites in Röttenbach in Middle Franconia and in Eastern Europe.

OUTLOOK CONTINUES TO SHOW STEADY GROWTH

Together we achieve more - that is the central credo of FATH, and the corporate culture is also firmly based on the three elementary pillars:

Together. Curious. Honest.

With determination, strategic vision and now over 500 employees at twelve locations, **FATH** has developed into a global player that develops and offers products and solutions for industry, intralogistics automation and customer-specific mechanical engineering. The sustainable, organic and dynamic growth up to this point was one of the main reasons for the “Bavaria’s Best 50” committee to award this prize to **FATH**.

SHAPING THE FUTURE TOGETHER WITH FATH

The outlook for the coming years continues to show significant growth. Particularly in the business area of customer-specific mechanical engineering components, **FATH** will continue to grow strongly with its comprehensive portfolio of scalable production technologies in conjunction with the engineering expertise of its subsidiary CEMEC. And when it comes to standard components, the digitalization of business processes will make life much easier for customers – true to the motto that drives **FATH** every day:

ENRICH YOURWORKING LIFE.

Engineering Components

Transport and Base Plate I ZN 40 x 40, Side M10, Powder Coated	10
Profile Mount Base 40 - 85 x 128	11
Profile Mount Base 80 - 85 x 168	12
Swivel and Fixed Casters	13
Swivel Caster Ø 75	15
Swivel Caster Ø 75 with System Brake	16
Swivel Caster Ø 80 / 100 / 125	17
Swivel Caster Ø 80 / 100 / 125 with Mounting Plate 40 / 45	18
Heavy-duty Swivel Caster Ø 200 with Mounting Plate 40 / 45	19
Heavy-duty Swivel Caster Ø 200 with System Brake and Mounting Plate 40 / 45	20
Fixed Caster Ø 75	21
Heavy-duty Fixed Caster Ø 200 with Mounting Plate 40 / 45	22
Double-T-slot Nut I Slot 8 for Double Adapter D30 (Set)	23
Roll-In Double T-Slot Nut 13.7 x 7.0 mm	24
T-slot Nut 19.5 x 10.6 mm, Step Height 5.1 mm	25
Roll-in Double T-slot Nut 14.0 x 5.2 mm (Set)	26
Roll-in Slot Nut 13.0 x 13.0 x 6.0 mm	27
Roll-in Slot Nut 13.0 x 13.0 x 6.0 mm with Spring Leaf	28
Gusseted Connection Angle AL 2 Hole, 1 Slot Version	29
Alu Connection Angle 20	30
Alu Connection Angle 20 x 40	31
Alu Connection Angle 30	32
Alu Connection Angle 30 x 60	33
Alu Connection Angle M (Set)	34
Alu Connection Angle I40 M Length/Cross (Set)	36
Alu Connection Angle B45 M Length/Cross (Set)	37
Zinc Connection Angle I 40	38
Cover Cap for Zinc Connection Angle I 40	39
Roll-in T-slot Nut for Support Bracket 160	40
Corner Connectors with Cable Passage (Set)	41
Corner Connector 40, 2D with Cable Passage (Set)	43
Corner Connector 40, 3D with Cable Passage (Set)	44
Corner Connector 45, 2D with Cable Passage (Set)	45
Corner Connector 45, 3D with Cable Passage (Set)	46
Cover Cap for Frame Corner Connector 18 x 32	47
Cube Connector 20, 2D	48
Cube Connector 20, 3D	49
Threaded Connection Stud for Cube Connector	50
Central Connector I 90° +/-45°	51
Central Connector B 90° +/-45°	52
Central Butt Connector I 180° +/-45°	53
Central Butt Connector B 180° +/-45°	54
Roll-in Double T-slot Nut for Universal Connector	55
Roll-in Double T-slot Nut for Automatic Connector I, Slot 8	56
Connecting Strip 180 I, Slot 8	57
Connecting Strip 180 B, Slot 8	58
Profile Connectors 90°	59
Profile Connector 90° B / M30, Slot 8 (Set)	61
Profile Connector 90° M45, Slot 8 (Set)	62
Friction Joints for System Arms (Set)	63
Adjustable Friction Joint I40L for System Arm (Set)	65
Adjustable Friction Joint B40L for System Arm (Set)	66
Locking Lever for Adjustable Friction Joint (Set)	67
System Handle Bent	68
Handle	69
Cover Cap for Handle	70

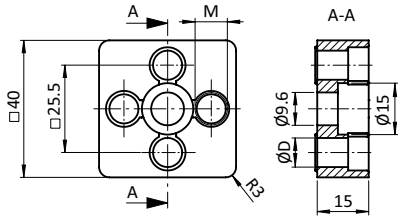
NEW

PRODUCTS

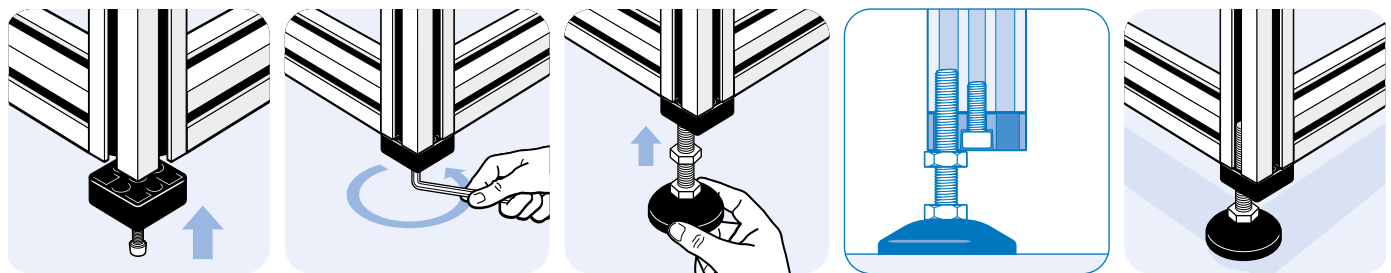
Bridge Handle B	71
Tablet Mount FRAME	72
Magnet for Tablet Mount FRAME (Set)	73
System Arms	74
System Arm I40L 370 (Set)	76
System Arm I40H 370 (Set)	78
System Arm I80H 370 (Set)	80
Double System Arm I40L 695 (Set)	82
Double System Arm I40H 695 (Set)	84
Double System Arm I80H 695 (Set)	86
Packing Tape Hand Dispenser Holder FX for Profile 40 / 45, Slot 8 / 10	88
Packing Tape Hand Dispenser Holder FX for Tubes D28 / D30	89
Drill / Driver Holder FX D50 for Profile 40 / 45, Slot 8 / 10	90
Bearing Units	91
Bearing Unit PA 1 Roller for C-Rail-Profile I Slot Ø 14	93
Bearing Unit 1 Roller Shaft Ø 14 for C-Rail-Profile I	94
Bearing Unit 3 Rollers Shaft Ø 14 for C-Rail-Profile I	95
Bearing Kit PA 1 Roller Slot Ø 14 for C-slide Profile I (Set)	96
Bearing Kit 1 Roller Shaft Ø 14 for C-slide Profile I (Set)	97
Bearing Kit 3 Rollers Shaft Ø 14 for C-slide Profile I (Set)	98
Roller for Shafts Ø 10	99
Roller for Shafts Ø 14	100
Bearing Unit 1 Roller Eccentric Shaft Ø 14	101
Bearing Unit 1 Roller Centric Shaft Ø 14	102
Wiper and Lubricator Ø 14 for Roller Profile I Slot 8 (Set)	103
Bearing block for support roller I D32 (Set)	104
Ball Insert D24	105
Cover and Reduction Profile I Slot 5	106
Cover and Reduction Profile M45 Slot 8	107
Cover and Reduction Profile I Slot 6	108
Side Protection Profile 40, Slot 8	109
Corner Protection Profile 40, Slot 8	110
Cover Cap for Side and Corner Protection Profile 40	111
Cover Cap for Corner Protection Profile 40	112
Cover Cap for 45 mm Modular Dimension	113
Cover Cap for Boreholes	114
Cover Cap for C-rail Profile I (Set)	115
Cover Cap for C-slide Profile I (Set)	116
Ring Cable Binder	117
Cross Cable Binder Block D28 Universal	118
Holding Bracket AL D30	119
Variable Holding Bracket AL D30	120
Shopfloor & Intralogistics	
Digital Shopfloor Board	121
Floor Marking Tape 18	123
Floor Marking Tape 50	124
Floor Marking T-shape 50	125
Floor Marking L-shape 50	126
Floor Marking I-shape 50	127
German One Way Road Floor Sign "Einbahnstraße", Pointing Left	128
German One Way Road Floor Sign "Einbahnstraße", Pointing Right	129
Warning Automatic Startup Floor Sign	130
Warning Danger of Falling Floor Sign	131
Digital Shopfloor Board	132
Enamel Folding Board Wing with Double Friction Joints (Set)	134
Floor Mounting for Guiding Rail FIFO (Set)	135

TRANSPORT AND BASE PLATE | ZN 40 X 40, SIDE M10, POWDER COATED

MODEL	Zinc die-cast
DESCRIPTION	To mount leveling feet, rollers, hooks or similar components; connects to the profile sideways
MATERIAL	Zinc die-cast
SURFACE	Powder coated
COLOR	Black
PACK QUANTITY	10 pieces

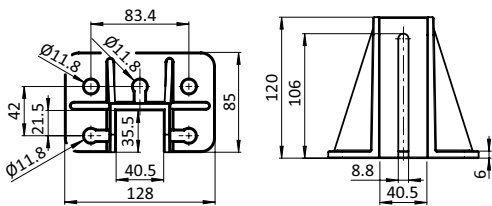


Color	ØD [mm]	M	Weight [g]	Profile	Part #
Black	9 (M8)	M10	85.0	I	093T40401008SS01



PROFILE MOUNT BASE 40 - 85 X 128

MODEL	Aluminum die-cast
DESCRIPTION	To mount aluminum profiles as posts or shelf beams
MATERIAL	Aluminum die-cast
SURFACE	Powder coated
COLOR	Alu color
PACK QUANTITY	1 piece
TIP	Compatible Hammer Screw Slot 8 see 096HK0830M0820 Compatible Hammer Screw Slot 10 see 096HK1030M0820 Compatible Flange Nut M8 see 340ME154

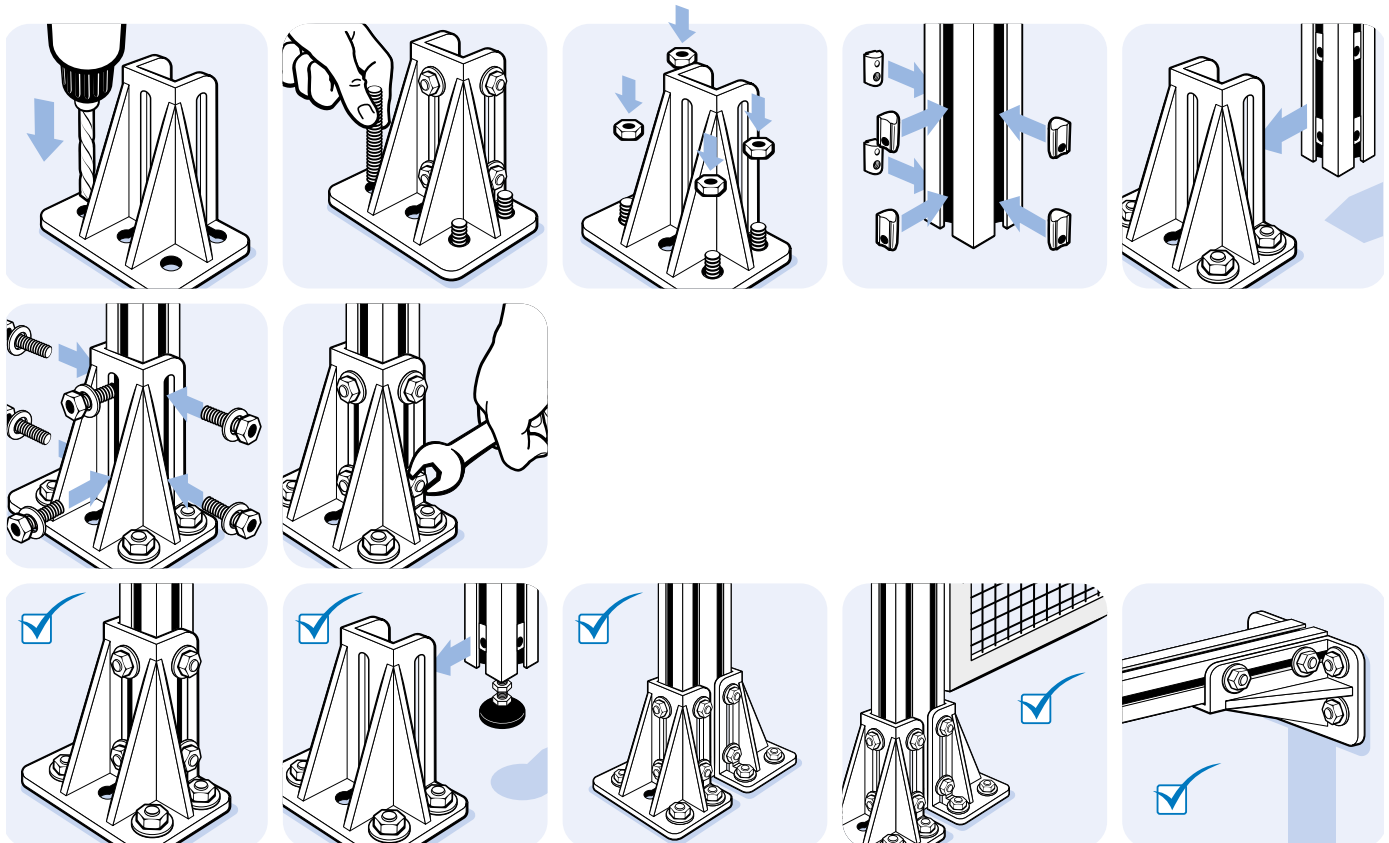


Weight [g]

Part #

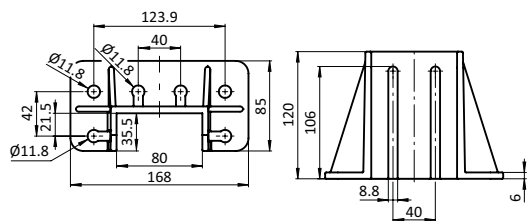
430.0

098G40L85128A



PROFILE MOUNT BASE 80 - 85 X 168

MODEL	Aluminum die-cast
DESCRIPTION	To mount aluminum profiles as posts or shelf beams
MATERIAL	Aluminum die-cast
SURFACE	Powder coated
COLOR	Alu color
PACK QUANTITY	1 piece
TIP	Compatible Hammer Screw Slot 8 see 096HK0830M0820 Compatible Hammer Screw Slot 10 see 096HK1030M0820 Compatible Flange Nut M8 see 340ME154

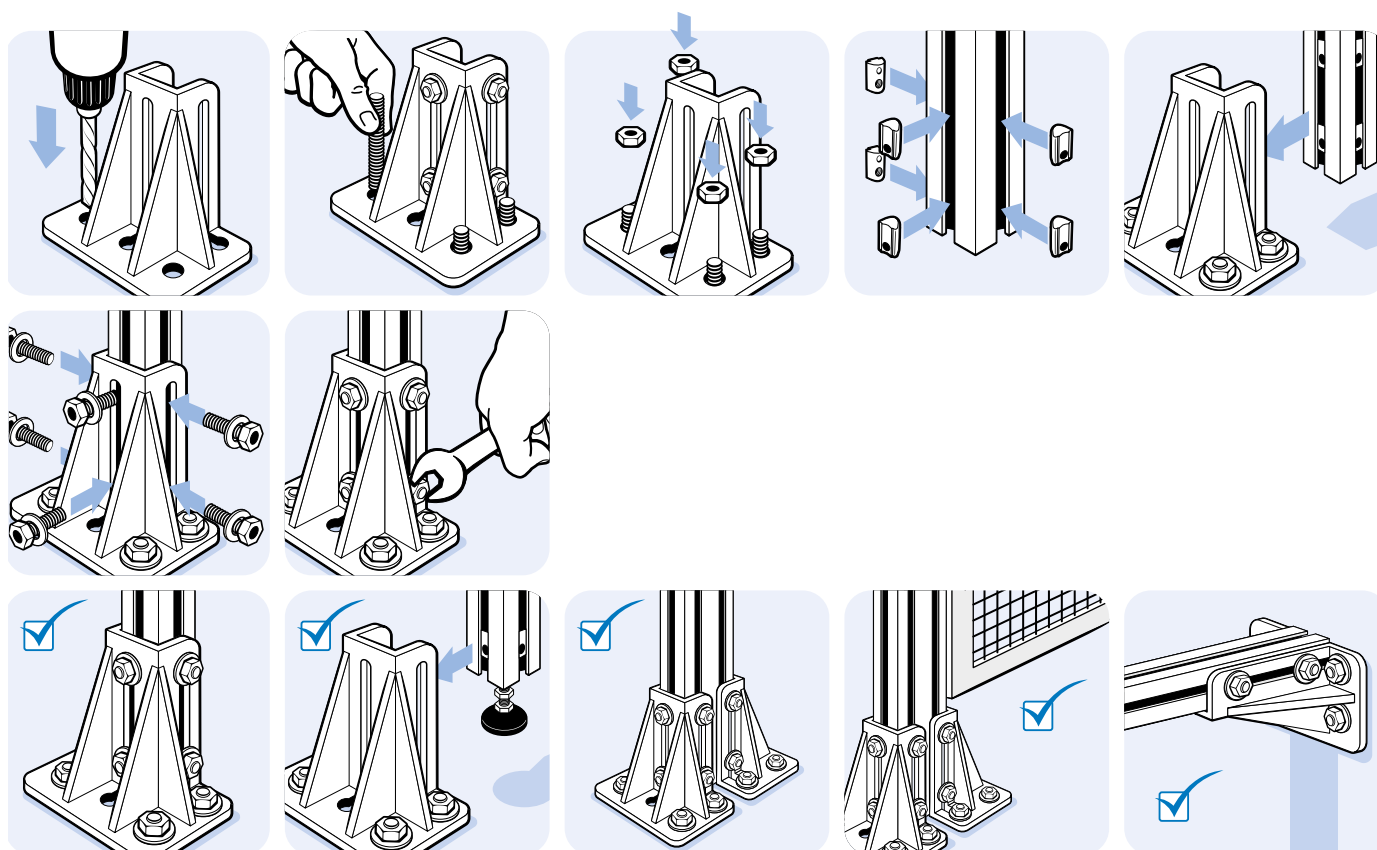


Weight [g]

Part #

522.0

098G4080L85168A



SWIVEL AND FIXED CASTERS

Precisely tailored to aluminum profiles with slot:
FATH Swivel and Fixed Casters in many versions for virtually any application

- Three different wheel diameters/mounting heights
- Two different mountings
- Four different materials, three of which are also in ESD version
- Extra large 200 mm rollers for heavy loads
- All swivel casters with double brake
- Can be installed without protrusion

HIGHLIGHTS

FATH has developed these swivel and fixed casters in cooperation with market leader Blickle specifically for use with aluminum profile systems. All housings and adapter plates are alu color powder coated and thus perfectly match the surface of anodized aluminum profiles.

FATH swivel and fixed casters are mounted either in conventional form with special adapter plates or with integrated mounting plates. This ensures fast, anti-twist installation on aluminum profiles with modular dimensions of 38 mm – 1.5", 40 mm and 45 mm and on heavy-duty rollers on aluminum profiles with modular dimensions of 80 mm and 90 mm – positive-locking without lateral protrusion.

All swivel casters are equipped with double brakes; the locking mechanism prevents the wheel from rolling and turning. The fixed casters are supplied without brakes. The heavy-duty swivel casters can also be supplied without double brakes if required. Choose from a wide range of versions to suit your requirements.

FAST & FLEXIBLE ASSEMBLY



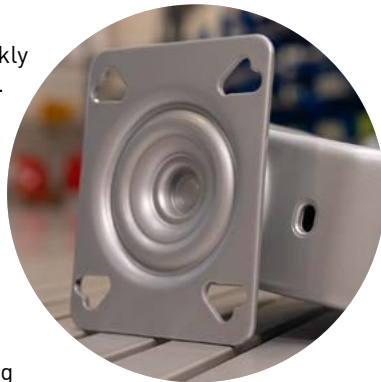
Extra large rollers for heavy loads

The latest addition to the family of **FATH** Swivel and Fixed Casters: Six extra large swivel and fixed casters with a wheel size of 200 mm have been developed for very heavy loads. These robust variants also roll optimally on floors with uneven surfaces, run smoothly and stay on track. The heavy-duty casters are available with plastic wheel bodies or with aluminum rims for extreme loads. The swivel casters are available with and without double brakes, the fixed casters have no brakes. The swivel housings or fixed housings of the heavy-duty casters are mounted directly to the aluminum profile with modular dimensions 80 mm und 90 mm.

DIFFERENT WHEELS FOR ALMOST EVERY FIELD OF APPLICATION

Recommendend Mounting Material

The FATH swivel and fixed castors can be mounted quickly and secured against rotation. Due to the many different designs, the right solution is available for every application. The castors can be mounted by means of special adapter plates, but also with the help of integrated mounting plates. Depending on the aluminum profile, you need the following mounting material:



1. On the face side in a core hole, using the adapter plate:

- I 40:
1 screw - M8 x 40;
1 washer DIN EN ISO 7093 - 8.4
- B 40, B 45:
1 screw - M12 x 40
1 self-tapping screw - S12 x 40

2. Along the T-slot, using the adapter plate:

- I 40:
1 screw M8 x 25;
1 washer DIN EN ISO 7093 - 8.4;
1 T-slot nut slot 8 - M8
- I 45:
1 hammer screw M8 x 30;
1 washer DIN EN ISO 7093 - 8.4;
1 nut DIN EN ISO 10511 - M8
- B 40, B 45:
T-bolt M12 x 30;
1 nut DIN EN ISO 10511 - M12

3. Along the T-slot, using the bolt holes:

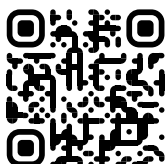
- I 40:
1 screw M8 x 14;
1 T-slot nut slot 8 - M8
- B 40, B 45:
1 screw M8 x 14;
1 T-slot nut slot 10 - M8

Overview of available wheels



	TPE		TPE ESD		TPU		TPU ESD		Solid rubber		Solid rubber ESD		PA
	Floor-protecting				Pliable				High deformation elasticity				Chemical resistant*
Track marks	No				No				Yes				No
Shore hardness	85° Shore A				94° Shore A				80° Shore A				70° Shore D
electrostatically discharging			ESD				ESD				ESD		
Color of wheel body	Gray		Black		Gray		Black		Gray		Black		Black
Color of wheel tread	Gray		Gray		Black		Black		Gray		Black		Black
Rolling resistance	* * * *				* * * *				* * *				* * * * *
Rolling noise	* * *				* * *				* * * *				* *
Floor protection	* * *				* * *				* * * *				* *

* Resistant to petroleum and alcohol based solvents



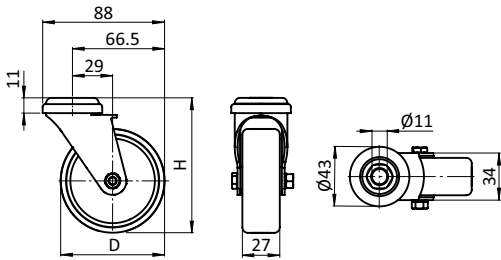
Get to know it better now!

swivel-caster.fath24.com



SWIVEL CASTER Ø 75

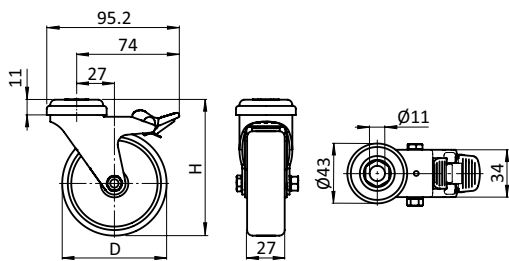
MODEL	With bolt hole pattern
DESCRIPTION	Reliable and quiet swivel caster, trackless, with thread guard; can be directly fixed to aluminum profiles or with an additional transport and base plate
MATERIAL	Housing: Steel Tread: See table Wheel body: See table
SURFACE	Housing: Powder coated
COLOR	Housing: Alu color Tread: See table Wheel body: See table
FASTENING	For end face mounting, a suitable thread must be cut into the core hole
PACK QUANTITY	1 piece
SPECIALS	Other kinds of wheels, other colors, other surfaces on request



Swivel Caster Tread	ESD	D [mm]	Wheel Body	H [mm]	Max. Load [N]	Weight [g]	Part #
TPE, gray ≈ RAL 7001		75	PP, gray	98	700	262.0	098S075TN
TPE, gray ≈ RAL 7031	ESD	75	PP, black	98	490	261.0	098S075TNESD

SWIVEL CASTER Ø 75 WITH SYSTEM BRAKE

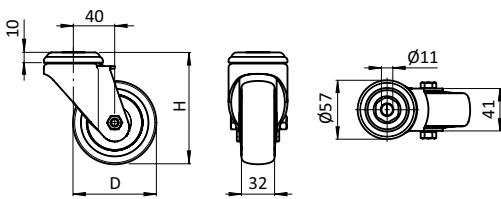
MODEL	With bolt hole pattern and system brake
DESCRIPTION	Reliable and quiet swivel caster, trackless, with thread guard; can be directly fixed to aluminum profiles or with an additional transport and base plate
MATERIAL	Housing: Steel Tread: See table Wheel body: See table
SURFACE	Housing: Powder coated
COLOR	Housing: Alu color Tread: See table Wheel body: See table
FASTENING	For end face mounting, a suitable thread must be cut into the core hole
PACK QUANTITY	1 piece
SPECIALS	Other kinds of wheels, other colors, other surfaces on request



Swivel Caster Tread	ESD	D [mm]	Wheel Body	H [mm]	Max. Load [N]	Weight [g]	Part #
TPE, gray ≈ RAL 7001		75	PP, gray	98	700	302.0	098S075TDN
TPE, gray ≈ RAL 7031	ESD	75	PP, black	98	490	302.0	098S075TDNESD

SWIVEL CASTER Ø 80 / 100 / 125

MODEL	With bolt hole; compatible with optional adapter plate S
DESCRIPTION	Reliable and quiet swivel caster, trackless (except solid rubber ESD electrostatical discharging), with ball bearings and thread guard; can be fixed to aluminum profiles; compatible with all swivel and fixed casters due to consistent height level with optional adapter plate S; no additional transport and base plate needed
MATERIAL	Housing: Steel Tread: See table Wheel body: See table Adapter plate: Zinc die-cast
SURFACE	Housing: Powder coated Adapter plate: Powder coated
COLOR	Housing: Alu color Tread: See table Wheel body: Black, gray Adapter plate: Alu color
PACK QUANTITY	1 piece
SPECIALS	Other kinds of wheels, other colors, other surfaces on request

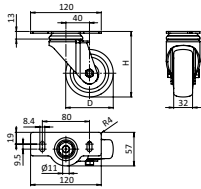


Swivel Caster Tread	ESD	D [mm]	Wheel Body	H [mm]	Max. Load [N]	Weight [g]	Part #
TPE, gray ≈ RAL 7031		80	PP, gray	108	1000	500.0	098S080TN
		100	PP, gray	133	1100	580.0	098S100TN
		125	PP, gray	158	1200	660.0	098S125TN
	ESD	80	PP, black	108	650	500.0	098S080TNESD
	ESD	100	PP, black	133	700	580.0	098S100TNESD
	ESD	125	PP, black	158	800	660.0	098S125TNESD
TPU, gray ≈ RAL 7024		80	PP, black	108	1200	520.0	098S080UN
		100	PA, gray	133	1200	600.0	098S100UN
		125	PA, gray	158.0	1200	700.0	098S125UN
	ESD	80	PA, black	108	1000	520.0	098S080UNESD
	ESD	100	PA, black	133	1200	620.0	098S100UNESD
	ESD	125	PA, black	158	1200	700.0	098S125UNESD
Solid rubber, gray ≈ RAL 7001		80	PA, black	108	800	520.0	098S080GN
		100	PA, black	133	1100	660.0	098S100GN
		125	PA, black	158	1000	800.0	098S125GN
Solid rubber, black	ESD	80	PA, black	108	600	520.0	098S080GNESD
	ESD	100	PA, black	133	800	740.0	098S100GNESD
	ESD	125	PA, black	158	750	620.0	098S125GNESD
PA, black; *with slide bearings		80	PA, black	108	1000	440.0	098S080AN
		100	PA, black	133	1200	560.0	098S100AN
		125	PA, black	158	1200	620.0	098S125AN

2

SWIVEL CASTER Ø 80 / 100 / 125 WITH MOUNTING PLATE 40 / 45

MODEL	With bolt hole pattern
DESCRIPTION	Reliable and quiet swivel caster, trackless (except solid rubber ESD electrostatical discharging), with ball bearings and thread guard; integrated mounting plate for asymmetric fixation to aluminum profiles without overhang; compatible with all swivel and fixed casters due to consistent height level; no additional transport and base plate needed; swivel caster either in standard version or as ESD electrostatical discharging version
MATERIAL	Housing: Steel Tread: See table Wheel body: See table
SURFACE	Housing: Powder coated
COLOR	Housing: Alu color Tread: See table Wheel body: Black, gray
PACK QUANTITY	1 piece
SPECIALS	Other kinds of wheels, other colors, other surfaces on request



Swivel Caster Tread	ESD	D [mm]	Wheel Body	H [mm]	Max. Load [N]	Weight [g]	Part #
TPE, gray ≈ RAL 7031		80	PP, gray	111	1000	609.0	098S080T4045N
		100	PP, gray	136	1100	687.0	098S100T4045N
		125	PP, gray	161	1200	772.0	098S125T4045N
	ESD	80	PP, black	111	650	617.0	098S080T4045NESD
	ESD	100	PP, black	136	700	696.0	098S100T4045NESD
	ESD	125	PP, black	161	800	779.0	098S125T4045NESD
TPU, gray ≈ RAL 7024		80	PA, gray	111	1200	637.0	098S080U4045N
		100	PA, gray	136	1200	722.0	098S100U4045N
		125	PA, gray	161	1200	820.0	098S125U4045N
	ESD	80	PA, black	111	1000	641.0	098S080U4045NESD
	ESD	100	PA, black	136	1200	730.0	098S100U4045NESD
	ESD	125	PA, black	161	1200	831.0	098S125U4045NESD
Solid rubber, gray ≈ RAL 7001		80	PA, black	111	800	639.0	098S080G4045N
		100	PA, black	136	1100	782.0	098S100G4045N
		125	PA, black	161	1000	906.0	098S125G4045N
Solid rubber, black	ESD	80	PA, black	111	600	621.0	098S080G4045NESD
	ESD	100	PA, black	136	800	747.0	098S100G4045NESD
	ESD	125	PA, black	161	750	858.0	098S125G4045NESD
PA, black; *with slide bearings		80	PA, black	111	1000	563.0	098S080A4045N
		136	PA, black	136	1200	671.0	098S100A4045N
		125	PA, black	161	1200	747.0	098S125A4045N

HEAVY-DUTY SWIVEL CASTER Ø 200 WITH MOUNTING PLATE 40 / 45

MODEL	With bolt hole pattern
DESCRIPTION	Reliable and quiet swivel caster, trackless With ball bearings and thread guard integrated mounting plate for fixation to aluminum profiles with modular dimension 40 and 45 mm without overhang No additional transport and base plate needed
MATERIAL	Housing: Steel Tread: See table Wheel body: See table
SURFACE	Housing: Powder coated
COLOR	Housing: Alu color Tread: See table Wheel body: See table
PACK QUANTITY	1 piece
SPECIALS	Other kinds of wheels, other colors, other surfaces on request



ESD	D [mm]	Wheel Body	B [mm]	H [mm]	Fixed Caster Tread	Max. Load [N]	Weight [g]	Part #
	200	PA, black	50	235	Solid rubber, black	4900	2400.0	098S200GH129105
	200	PA, white	50	235	PA, white	5800	2060.0	098S200AH129105
	200	Aluminum, gray	50	235	PU, yellow	7800	2590.0	098S200EH129105
ESD	200	Aluminum, gray	50	235	PU, gray	7800	2570.0	098S200EH129105ESD
	200	PA, gray	40	235	TPU, dark gray	4900	1880.0	098S200UH129105
ESD	200	PA, gray	40	235	TPU, dark gray	3100	1970.0	098S200UH129105ESD



HEAVY-DUTY SWIVEL CASTER Ø 200 WITH SYSTEM BRAKE AND MOUNTING PLATE 40 / 45

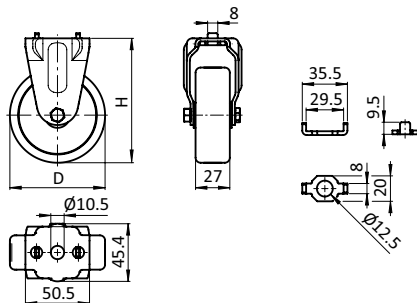
MODEL	With bolt hole pattern and system brake
DESCRIPTION	Reliable and quiet swivel caster, trackless With ball bearings and thread guard integrated mounting plate for fixation to aluminum profiles with modular dimension 40 and 45 mm without overhang No additional transport and base plate needed
MATERIAL	Housing: Steel Tread: See table Wheel body: See table
SURFACE	Housing: Powder coated
COLOR	Housing: Alu color Tread: See table Wheel body: See table
PACK QUANTITY	1 piece
SPECIALS	Other kinds of wheels, other colors, other surfaces on request



ESD	D [mm]	Wheel Body	B [mm]	H [mm]	Fixed Caster Tread	Max. Load [N]	Weight [g]	Part #
	200	PA, black	50	235	Solid rubber, black	4900	3580.0	098S200GHD129105
	200	PA, white	50	235	PA, white	5800	2590.0	098S200AHD129105
	200	Aluminum, gray	50	235	PU, yellow	7800	3100.0	098S200EHD129105
ESD	200	Aluminum, gray	50	235	PU, gray	7800	3150.0	098S200EHD129105ESD
	200	PA, gray	40	235	TPU, dark gray	4900	2400.0	098S200UHD129105
ESD	200	PA, gray	40	235	TPU, dark gray	3100	2460.0	098S200UHD129105ESD

FIXED CASTER Ø 75

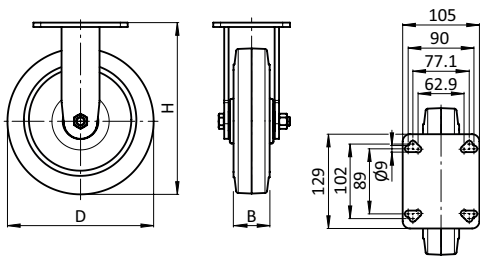
MODEL	With bolt hole pattern and separate locating pin for slot 8
DESCRIPTION	Reliable and quiet swivel caster, trackless, with thread guard; can be directly fixed to aluminum profiles, with optional locating pin slot 8 secured against rotation
MATERIAL	Housing: Steel Tread: See table Wheel body: See table Locating pin: Steel
SURFACE	Housing: Powder coated Locating pin: Zinc plated
COLOR	Housing: Alu color Tread: See table Wheel body: Gray
FASTENING	For end face mounting, a suitable thread must be cut into the core hole
PACK QUANTITY	1 piece
SPECIALS	Other kinds of wheels, other colors, other surfaces on request



ESD	D [mm]	Wheel Body	H [mm]	Fixed Caster Tread	Max. Load [N]	Weight [g]	Part #
	75	TPE, gray ≈ RAL 7001	98	PP, gray	700	273.0	098F075TN
ESD	75	TPE, gray ≈ RAL 7031	98	PP, black	490	273.0	098F075TNESD

HEAVY-DUTY FIXED CASTER Ø 200 WITH MOUNTING PLATE 40 / 45

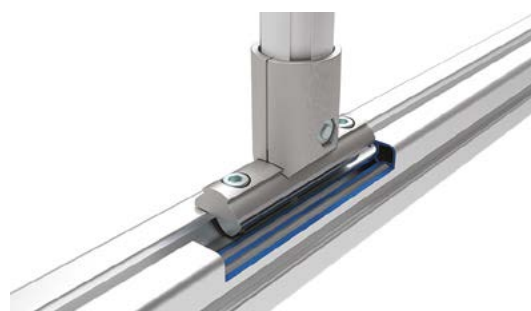
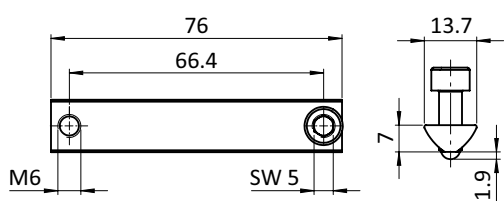
MODEL	With bolt hole pattern
DESCRIPTION	Reliable and quiet fixed caster, trackless With ball bearings and thread guard, integrated mounting plate for fixation to aluminum profiles with modular dimension 40 and 45mm without overhang No additional transport and base plate needed
MATERIAL	Housing: Steel Tread: See table Wheel body: See table
SURFACE	Housing: Powder coated
COLOR	Housing: Alu color Tread: See table Wheel body: See table
PACK QUANTITY	1 piece
SPECIALS	Other kinds of wheels, other colors, other surfaces on request



ESD	D [mm]	Wheel Body	B [mm]	H [mm]	Fixed Caster Tread	Max. Load [N]	Weight [g]	Part #
	200	PA, black	50	235	Solid rubber, black	4900	2580.0	098F200GH129105
	200	PA, white	50	235	PA, white	5800	2450.0	098F200AH129105
	200	Aluminum, gray	50	235	PU, yellow	7800	2990.0	098F200EH129105
ESD	200	Aluminum, gray	50	200	PU, gray	7800	2750.0	098F200EH129105ESD
	200	PA, gray	40	235	TPU, dark gray	4900	2280.0	098F200UH129105
ESD	200	PA, gray	40	235	TPU, dark gray	3100	2320.0	098F200UH129105ESD

DOUBLE-T-SLOT NUT | SLOT 8 FOR DOUBLE ADAPTER D30 (SET)

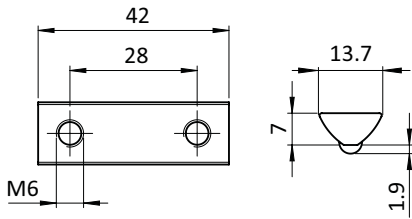
MODEL	Slot 8, steel
DESCRIPTION	Roll-in double T-slot nut
MATERIAL	Double T-slot nut: Steel Ball: Stainless steel Spring: Spring steel Screws: Steel
SURFACE	Double T-slot nut: Zinc plated Screws: Zinc plated
SET	1 roll-in double T-slot nut slot 8 2 screws DIN EN ISO 4762 (DIN 912) - M6 x 16
PACK QUANTITY	10 pieces



Size	Weight [g]	Profile	Part #
M6	49.4		096006D76S02

ROLL-IN DOUBLE T-SLOT NUT 13.7 X 7.0 MM

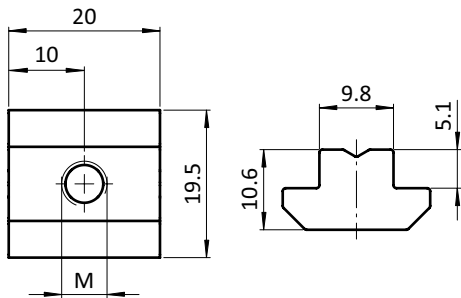
MODEL	Slot 8, steel
DESCRIPTION	Roll-in double T-slot nut with spring loaded ball
MATERIAL	Steel
SURFACE	Zinc plated
PACK QUANTITY	100 pieces
SPECIALS	Different lengths with multiple threads in different sizes available on request



Size	Weight [g]	Profile	Part #
M6	19.6	I	096000S16

T-SLOT NUT 19.5 X 10.6 MM, STEP HEIGHT 5.1 MM

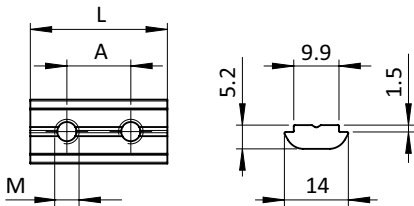
MODEL	Slot 10, Self-aligning, Steel / Stainless Steel
DESCRIPTION	Self-aligning T-slot nut
MATERIAL	Steel / stainless steel SS304 / SS303
SURFACE	Zinc plated / plain
PACK QUANTITY	100 pieces
SPECIALS	ESD electrostatical discharging, different lengths with multiple threads in different sizes available on request
TIP	Compatible Spring see 096FN08



Material	Size	Weight [g]	Profile	Part #
Stainless steel	M6	20.4	B	096036E
	M8	19.5	B	096038E

ROLL-IN DOUBLE T-SLOT NUT 14.0 X 5.2 MM (SET)

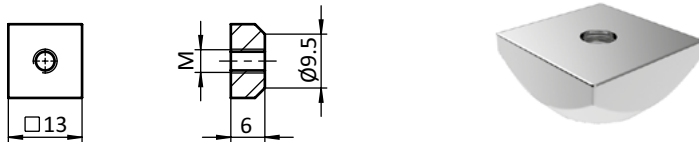
MODEL	Steel
DESCRIPTION	Roll-in double T-slot nut, incl. 1 hexagon socket set screw for shake-proof fixation in all positions
MATERIAL	Steel
SURFACE	Zinc plated
SET	1 roll-in double T-slot nut 14.0 x 5.2 mm 1 hexagon socket set screw DIN 916 - M5 x 30
PACK QUANTITY	100 pieces



A [mm]	L [mm]	Size	Weight [g]	Profile	Part #
14.0	30.0	M5	13.0	B	096160S03

ROLL-IN SLOT NUT 13.0 X 13.0 X 6.0 MM

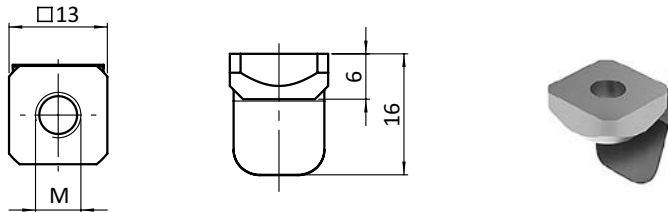
MODEL	Slot 8, steel
DESCRIPTION	Roll-in slot nut
MATERIAL	Steel
SURFACE	Zinc plated
PACK QUANTITY	100 pieces



	Thread	Weight [g]	Part #
	M4	6.1	096P0131306M4
	M5	5.8	096P0131306M5
	M6	5.6	096P0131306M6
	M8	5.0	096P0131306M8

ROLL-IN SLOT NUT 13.0 X 13.0 X 6.0 MM WITH SPRING LEAF

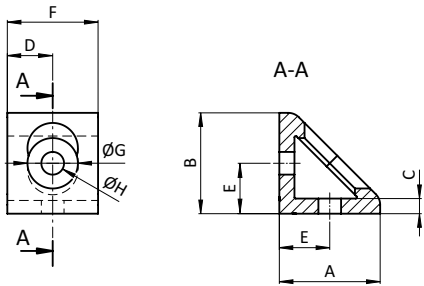
MODEL	Slot 8, with Spring Leaf, Steel
DESCRIPTION	Roll-in slot nut with spring leaf
MATERIAL	Steel
SURFACE	Zinc plated
PACK QUANTITY	100 pieces



	Thread	Weight [g]	Part #
	M4	6.6	096P0131306M4F
	M5	6.3	096P0131306M5F
	M6	6.1	096P0131306M6F
	M8	5.4	096P0131306M8F

GUSSETED CONNECTION ANGLE AL 2 HOLE, 1 SLOT VERSION

MODEL	Aluminum
DESCRIPTION	To connect two aluminum profiles at right angles
MATERIAL	Aluminum
SURFACE	Anodized
COLOR	Alu color
DELIVERY COUNTRIES	North America
PACK QUANTITY	10 pieces



A [mm]	D [mm]	B [mm]	H [mm]	C [mm]	for Profile	E [mm]	F [mm]	G [mm]	Weight [g]	Part #
20.0	9.0	20.0	5.5	3.0	20	12.0	18.0	10.0	6.4	093W8203N05
25.4 (1.00")	11.2 (0.44")	25.4 (1.00")	6.9 (0.27")	4.8 (0.19")	25 - 1"	12.7 (0.50")	22.4 (0.88")	12.7 (0.50")	15.4	093W8104N06
30.0	13.5	30.0	7.0	5.0	30	14.0	27.0	15.0	25.9	093W8303N08
38.1 (1.50")	16.5 (0.65")	38.1 (1.50")	8.9 (0.35")	6.4 (0.25")	38 - 1.5"	20.1 (0.79")	33.0 (1.30")	19.1 (0.75")	47.2	093W8384N08
40.0	18.0	40.0	9.0	6.0	40	20.0	36.0	20.0	55.8	093W8404N08
45.0	20.5	45.0	9.0	6.0	45	20.0	41.0	22.5	75.8	093W8421N10

ALU CONNECTION ANGLE 20

MODEL	Aluminum die-cast, profile 20 and up
DESCRIPTION	To connect two aluminum profiles or panels at right angles; the connection angle can be closed with the cover cap
MATERIAL	Angle: Aluminum die-cast Cover cap: Plastic PA, glass fiber reinforced Assembly set: Steel
SURFACE	Angle: Plain / Powder coated Assembly set: Zinc plated
COLOR	Cover cap: Black, gray
ASSEMBLY SET	2 hammer nuts - slot 6 - M4, 2 screws DIN 7984 - M4 x 8
PACK QUANTITY	10 pieces / 10 set
SPECIALS	Other surfaces, other colors on request

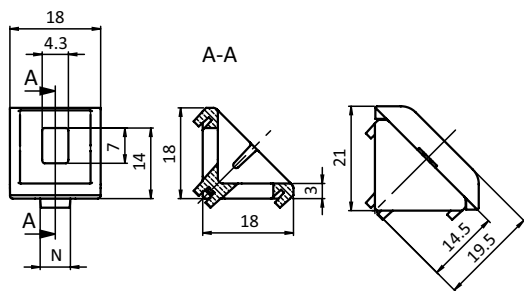
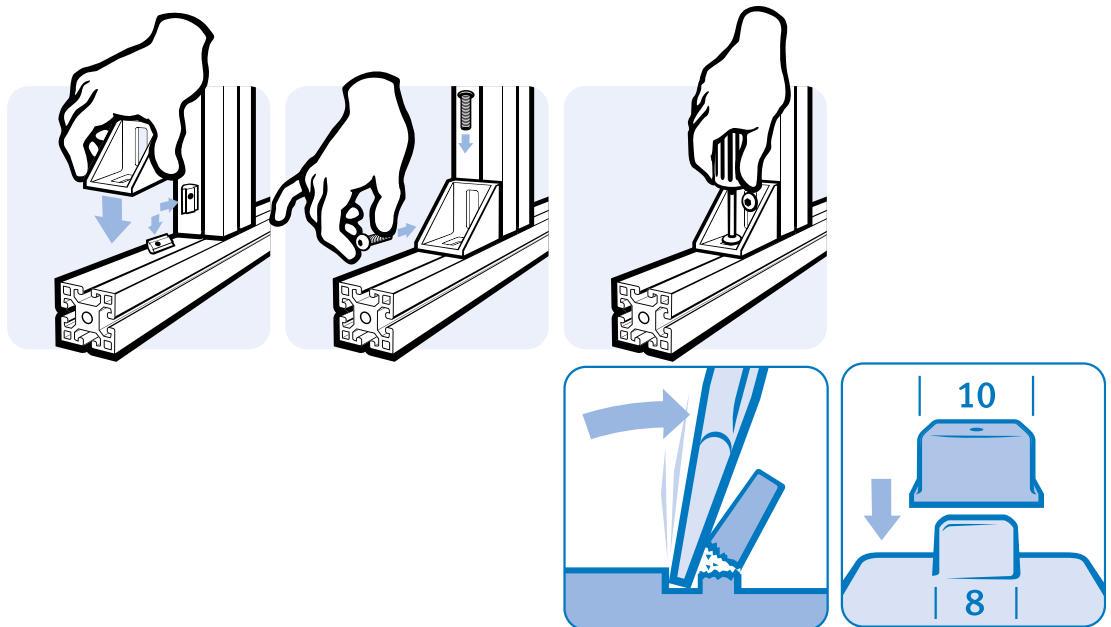


Fig.	Version	Color	Weight [g]	Part #
②	Cover cap	Gray ≈ RAL 7004	1.6	093WA203S02



ALU CONNECTION ANGLE 20 X 40

MODEL	Aluminum die-cast, profile 20 and up
DESCRIPTION	To connect two aluminum profiles or panels at right angles; the connection angle can be closed with the cover cap
MATERIAL	Angle: Aluminum die-cast Cover cap: Plastic PA, glass fiber reinforced Assembly set: Steel
SURFACE	Angle: Plain / Powder coated Assembly set: Zinc plated
COLOR	Cover cap: Black, gray
ASSEMBLY SET	4 hammer nuts - slot 6 - M4, 4 screws DIN 7984 - M4 x 8
PACK QUANTITY	10 pieces / 10 set
SPECIALS	Other surfaces, other colors on request

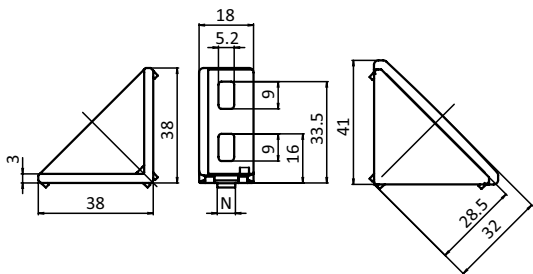
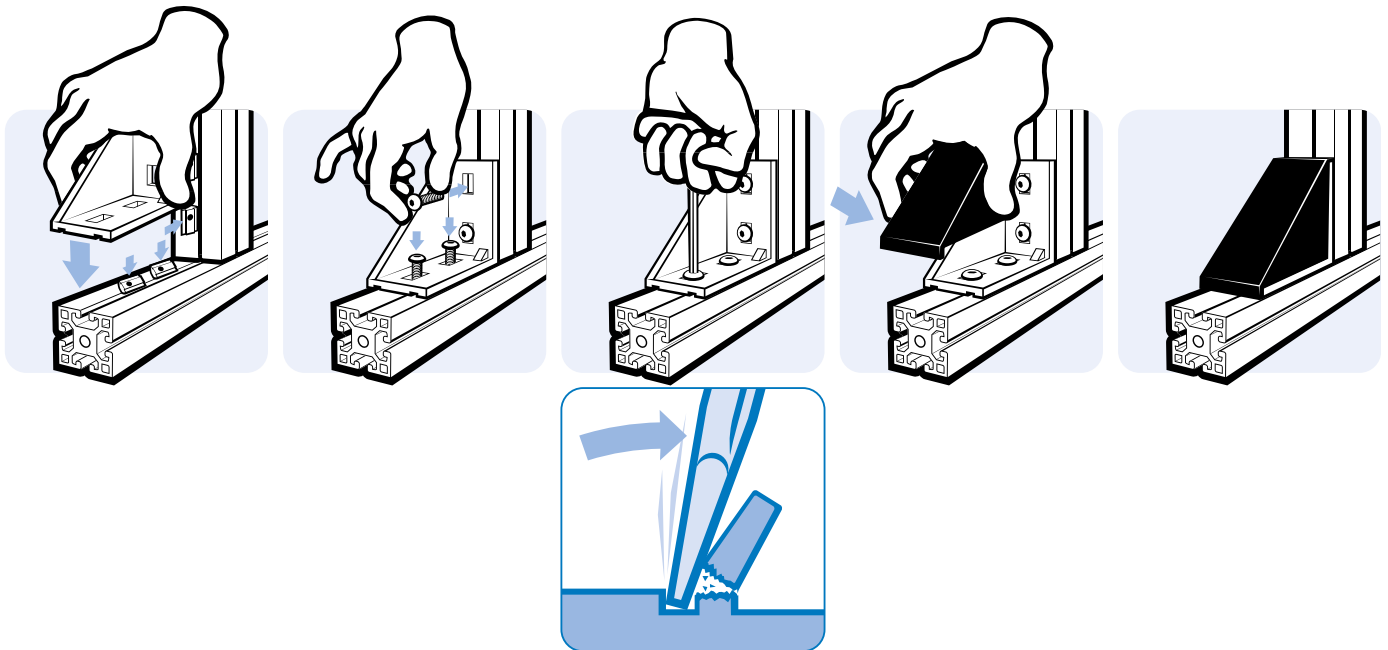


Fig.	Version	Color	Weight [g]	Part #
②	Cover cap	Gray ≈ RAL 7004	1.0	093WA202S02



2

ALU CONNECTION ANGLE 30

MODEL	Aluminum die-cast, profile 30 and up
DESCRIPTION	To connect two aluminum profiles or panels at right angles; the connection angle can be closed with the cover cap
MATERIAL	Angle: Aluminum die-cast Cover Cap: Plastic PA, glass fiber reinforced Centering piece: Nylon PA, glass fiber reinforced Assembly set: Steel
SURFACE	Angle: Plain / Powder coated Assembly set: Zinc plated
COLOR	Angle: - / alu color Cover cap: Black, gray Centering piece: Black
ASSEMBLY SET 1	2 hammer nuts - slot 8 - M6, 2 screws DIN 7984 - M6 x 14
ASSEMBLY SET 2	1 hammer nut - slot 8 - M6, 1 screw DIN 7984 - M6 x 14, 1 hammer nut - slot 10 - M6, 1 screw DIN 7984 - M6 x 18, 2 Centering pieces - slot 8 to slot 10
ASSEMBLY SET 3	2 hammer nuts - slot 10 - M6, 2 screws DIN 7984 - M6 x 18, 4 Centering piece - slot 8 to slot 10
PACK QUANTITY	10 pieces / 10 set
SPECIALS	Other surfaces, other colors on request
TIP	* By means of two plastic adapters slot 8 to slot 10

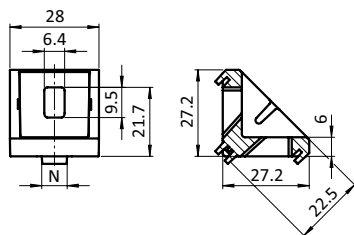
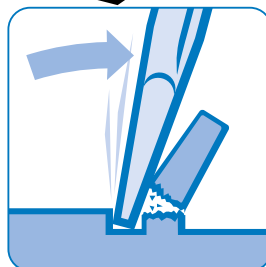
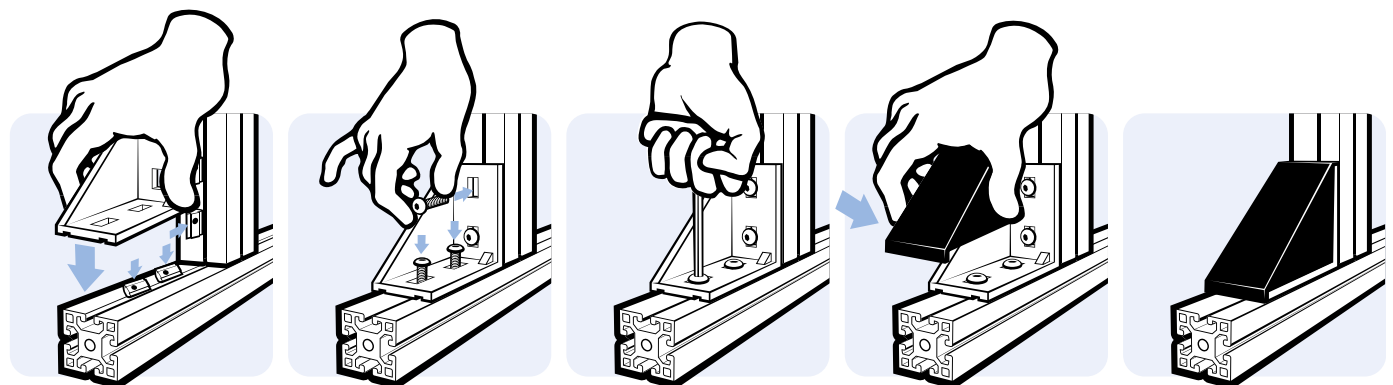


Fig.	Version	Color	Weight [g]	Part #
②	Cover cap	Gray ≈ RAL 7004	5.2	093WA303S05

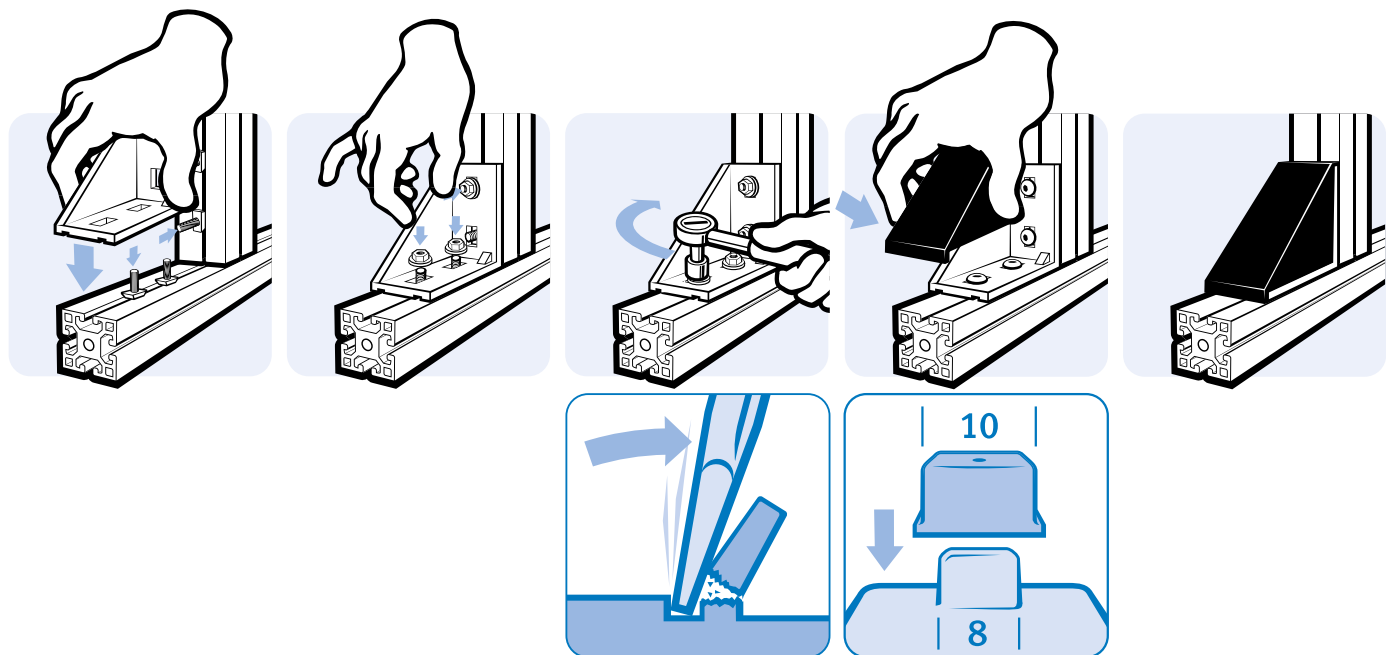


ALU CONNECTION ANGLE 30 X 60

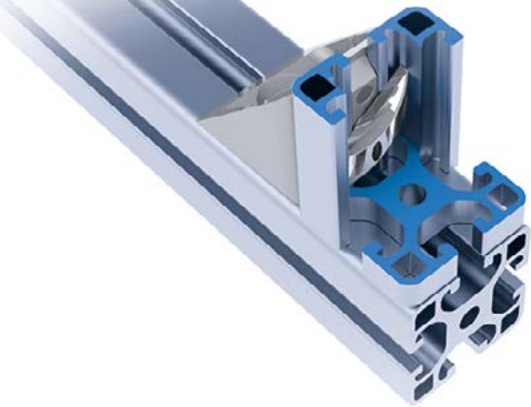
MODEL	Aluminum die-cast, profile 30 and up
DESCRIPTION	To connect two aluminum profiles or panels at right angles; the connection angle can be closed with the cover cap
MATERIAL	Angle: Aluminum die-cast Cover Cap: Plastic PA, glass fiber reinforced Centering piece: Nylon PA, glass fiber reinforced Assembly set: Steel
SURFACE	Angle: Plain / Powder coated Assembly set: Zinc plated
COLOR	Angle: - / alu color Cover cap: Black, gray Centering piece: Black
ASSEMBLY SET	4 hammer nuts - slot 8 - M6, 4 screws DIN 7984 - M6 x 14
PACK QUANTITY	10 pieces / 10 set
SPECIALS	Other surfaces, other colors on request



Fig.	Version	Color	Weight [g]	Part #
②	Cover cap	Gray ≈ RAL 7004	14.0	093WA302S03



2



ALU CONNECTION ANGLE M (SET)

Connect aluminum profiles quickly and easily with the **FATH Alu Connection Angle M (Set)**



- Quick installation: put on, tighten, done
- Rhombus screws always correctly positioned by magnets
- Completely pre-assembled components for immediate use
- Suitable for the profile modular dimensions 40 slot 8
- Versions available for 90° rotation of the profile slot

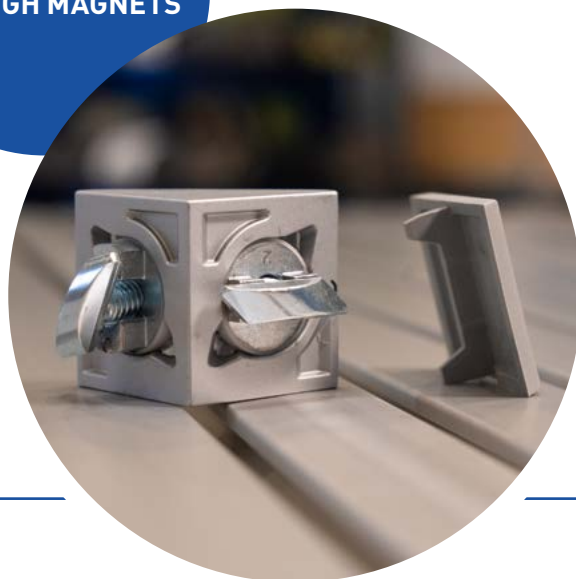
HIGHLIGHTS

It doesn't get any faster than this! The **FATH Alu Connection Angle M** is the convenient angle for lightning-fast right angle connection of aluminum profiles. Installation is a cinch, as the convenient profile connectors are completely pre-assembled. You no longer need any additional assembly material such as T-slot nuts and screws. Thanks to the innovative use of magnet technology – there are tiny magnets inside – the rhombus screws are always correctly positioned and can be inserted directly into the profile slot. Pre-adjustment is no longer necessary. This magnet technology from **FATH** is patent-pending.

For profile constructions where the slot of a profile is to be moved in a different direction, **FATH Alu Connection Angle M** is available in versions that allow a 90° rotation of the rhombus screws.

Simply place the **FATH Alu Connection Angle M** with pre-assembled magnet rhombus screws on the profiles with slot 8, tighten the nuts – done! The aluminum profiles are already firmly connected to one another.

QUICK ASSEMBLY THROUGH MAGNETS



Assembly: Quick and easy like never before

You only need a single tool for assembly: a socket wrench SW13-3/8". That saves a lot of time! With the **FATH Alu Connection Angle M (Set)**, you can connect aluminum profiles about 10 times faster compared to conventional angles.

The open sides of the **FATH Connection Angle M (Set)** can be closed with the matching cover cap. Cover caps are available separately in gray, matching the anodized aluminum profile surface, and black and are easily inserted into the **FATH Alu Connection Angle M (Set)**.

FAST & INNOVATIVE THROUGH MAGNETIC TECHNOLOGY

A strong point: use as a reinforcing element

Since the **FATH** Alu Connection Angle M (Set) extends the support width of the frame structure, it is also suitable for reinforcing rectangular profile connections. This means that higher moment loads are possible without additional profile processing. Several angles can also be mounted in parallel for this purpose.

Another plus: The **FATH** Alu Connection Angle M (Set) can compensate for errors and tolerances in the profile cross section.

Practical: FATH Alu Connection Angle M (Set) can be used again and again


The **FATH** Alu Connectionn Angle M (Set) can be dismantled in seconds at any time and reused as often as you like for new connections. The assembly and disassembly of profile structures is quick and effortless. This also makes the angle sets the perfect companion for mobile constructions.

VERTICAL
OR HORIZONTAL
MOUNTING
POSSIBLE




2

Versions:




Alu Connection Angle 40 M (Set)

Scope of delivery:
1 Angle: die-cast aluminum, powder-coated in aluminum color
2 magnetic rhombus screws: Steel, galvanized
2 countersunk nuts: steel, galvanized
Delivery unit: 10 pieces




Alu Connection Angle l40 M length/cross (Set)

Scope of delivery:
1 Angle: die-cast aluminum, powder-coated in aluminum color
2 magnetic rhombus screws: Steel, galvanized
2 countersunk nuts: steel, galvanized
Delivery unit: 10 pieces



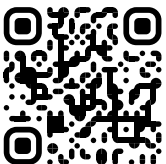
Alu Connection Angle 40 / 80 M (Set)

Scope of delivery:
1 Angle: die-cast aluminum, powder-coated in aluminum color
4 magnetic rhombus screws: Steel, galvanized
4 countersunk nuts: steel, galvanized
Delivery unit: 10 pieces



Alu Connection Angle B45 M (Set) Nut 10

Scope of delivery:
1 Angle: die-cast aluminum, powder-coated in aluminum color
4 magnetic rhombus screws: Steel, galvanized
4 countersunk nuts: steel, galvanized
Delivery unit: 10 pieces



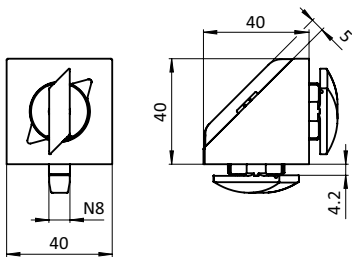
Get to know it better now!

connection-angle-m.fath24.us.com

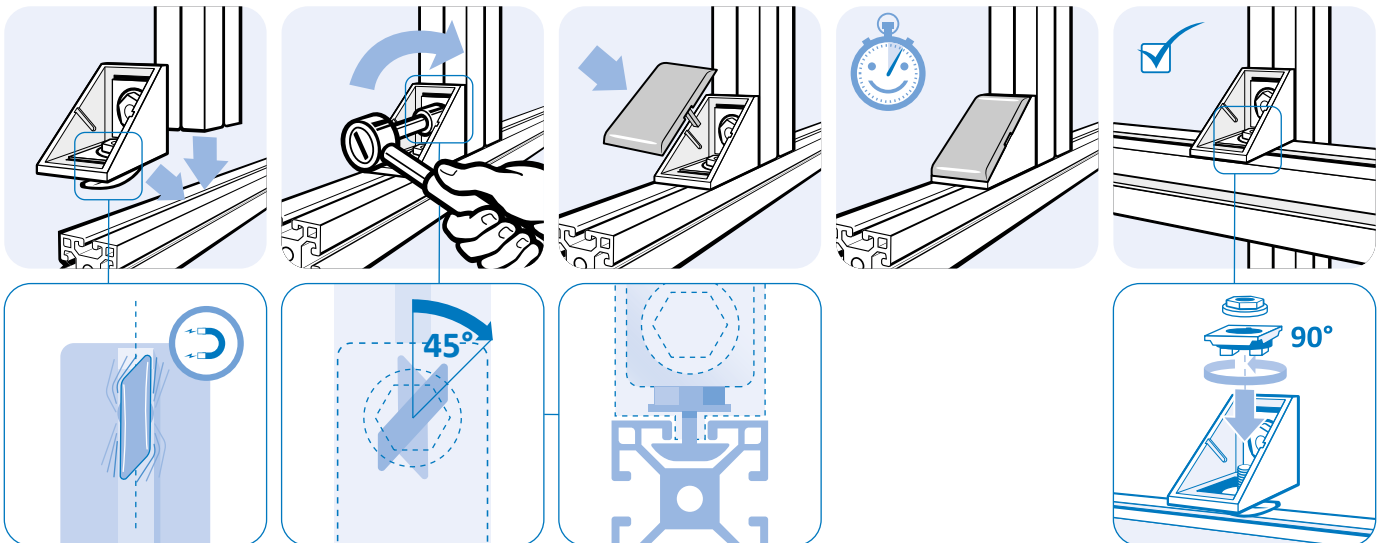


ALU CONNECTION ANGLE I40 M LENGTH/CROSS (SET)

MODEL	Aluminum die-cast
DESCRIPTION	To connect two aluminum profiles quickly at right angles lengthwise or crosswise, direct inserting into the profile slot thanks to correct positioning of the pre-assembled magnet rhombus screws and countersunk nuts; the connection angle can be closed with the cover cap
MATERIAL	Angle: Aluminum die-cast Cover cap: Plastic PA, glass fiber reinforced, Magnet rhombus screws: Steel Countersunk nuts: Steel Insert: Zinc die-cast # Ring: Plastic PE
SURFACE	Angle: Powder coated Magnet rhombus screws: Zinc plated Countersunk nuts: Zinc plated
COLOR	Angle: Alu color Cover cap: Gray≈ RAL 7042 Ring: Black
SET	1 angle 2 magnet rhombus screws 2 countersunk nuts M8 1 cover cap
PACK QUANTITY	10 pieces

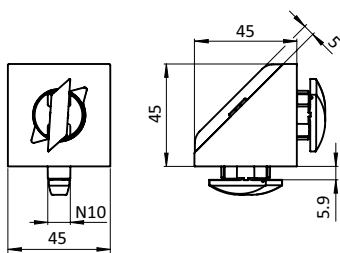


N	Weight [g]	Pro- file	Part #
8	114.0	I	093W4010N08S01



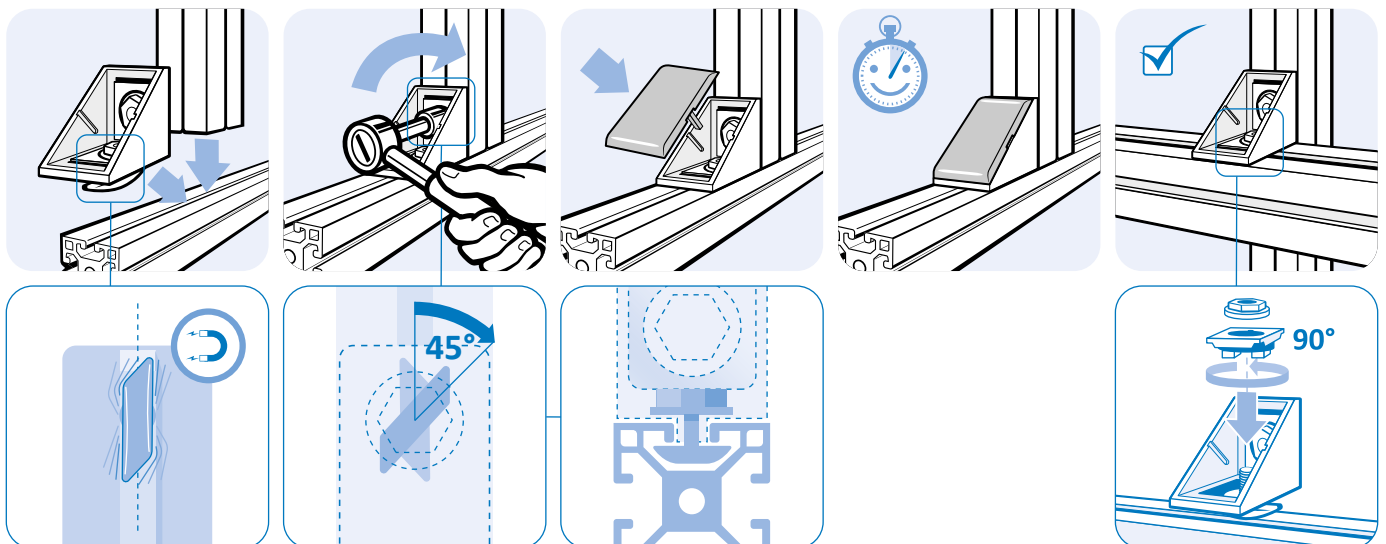
ALU CONNECTION ANGLE B45 M LENGTH/CROSS (SET)

MODEL	Aluminum die-cast
DESCRIPTION	To connect two aluminum profiles quickly at right angles lengthwise or crosswise, direct inserting into the profile slot thanks to correct positioning of the pre-assembled magnet rhombus screws and countersunk nuts; the connection angle can be closed with the cover cap
MATERIAL	Angle: Aluminum die-cast Cover cap: Plastic PA, glass fiber reinforced, Magnet rhombus screws: Steel Countersunk nuts: Steel Insert: Zinc die-cast # Ring: Plastic PE
SURFACE	Angle: Powder coated Magnet rhombus screws: Zinc plated Countersunk nuts: Zinc plated
COLOR	Angle: Alu color Cover cap: Gray≈ RAL 7004 Ring: Black
SET	1 angle 2 magnet rhombus screws 2 countersunk nuts M8 1 cover cap
PACK QUANTITY	10 pieces



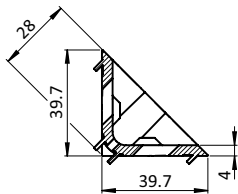
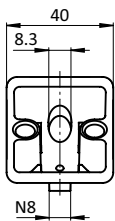
N	Weight [g]	Profile	Part #
10	135.0	B	093W4510N10S01

2



ZINC CONNECTION ANGLE I 40

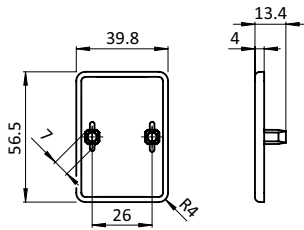
MODEL	Zinc die-cast
DESCRIPTION	To connect two aluminum profiles or panels at right angles, the connection angle can be closed with the cover cap
MATERIAL	Angle: Zinc die-cast Cover cap: Plastic PA, glass fiber reinforced Assembly set: Steel
SURFACE	Angle: Plain / Powder coated Assembly set: Zinc plated
COLOR	Cover cap: Black
ASSEMBLY SET	1 cover cap - plastic PA - black, 2 T-slot nuts - slot 8 - M8, 2 screws DIN EN ISO 7380 - M8 x 16, 1 washer DIN EN ISO 4759-3 (DIN 988)
PACK QUANTITY	10 pieces
TIP	Other surfaces, other colors on request



Version	Surface	Color	N	Weight [g]	Profile	Part #
	Plain		8	102.0		093W407N08R
	Powder coated	Alu color	8	103.9		093W407N08
incl. assembly set	Powder coated	Alu color	8	129.5	I	093W407N08S01

COVER CAP FOR ZINC CONNECTION ANGLE I 40

MODEL	Plastic PA
DESCRIPTION	To cover the open side of the connection angle
MATERIAL	Plastic PA, glass fiber reinforced
COLOR	Black
PACK QUANTITY	10 pieces
TIP	Compatible Zinc Connection Angle I 40 see 093W407N08R



Weight [g]

Part #

8.0

093WA407

ROLL-IN T-SLOT NUT FOR SUPPORT BRACKET 160

MODEL	Slot 8, steel
DESCRIPTION	Roll-in T-slot nut
MATERIAL	T-slot nut, screws and shims: Zinc plated steel Ball: Stainless steel
ASSEMBLY SET	4x M8, 4 screws ISO 7380 - M8 x 20, 4 shims DIN EN ISO 7089 (DIN 125) - 8,4
PACK QUANTITY	10 pieces / 10 set
SPECIALS	ESD electrostatical discharging, available on request

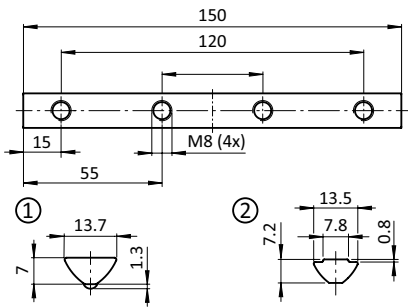


Fig.	Version	Assembly Set	Size	Weight [g]	Profile	Part #
②	Self-aligning T-slot nut		M8	69.0	I	096020S92

CORNER CONNECTORS WITH CABLE PASSAGE (SET)

Patented:
FATH Corner Connectors with Cable Passage – route cabling safely through profile connections



- Orderly cable routing directly through the corner connection
- Available for 2D and 3D profile structures
- Up to six cables can be fed through
- Cover cap and assembly kit included
- Perfect supplement to **FATH Light for Slot**

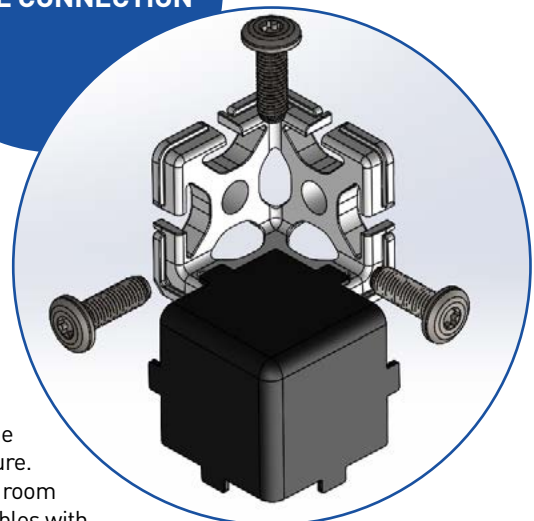
HIGHLIGHTS

An innovation from the **FATH LAB**: The patented corner connections for aluminum profiles enable orderly and secure cable routing directly through the profile connection. The **FATH Corner Connectors with Cable Passage** are designed to allow delicate cables to pass through the inside of the connectors. With this clever component, you can implement a power supply directly in the slot.

FATH Corner Connectors with Cable Passage are made of high-strength zinc alloy. They are available for aluminum profile 40 / slot 8 and aluminum profile 45 / slot 10, for 2D and 3D profile designs.

Matching gray plastic cover caps are included with all versions of the **FATH Corner Connector with Cable Passage 2D and 3D**. Simply place it on the connector, press it in place – done! This means that your profile constructions with power supply are also protected against cable chaos and damage from external influences. The assembly kit is also included in the scope of delivery.

CABLE ROUTING IN THE CONNECTION



Recesses for up to six cables

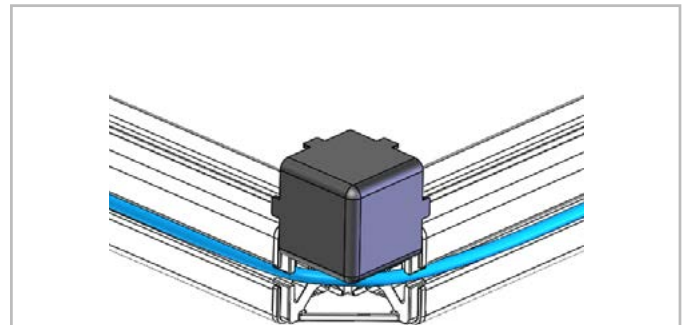
FATH Corner Connectors come with tapers and larger recesses underneath. Simply insert the cable into the recess through the taper, pull it through the connector and route it into the other levels of the aluminum profile structure. The **FATH Corner Connector with Cable Passage** for profile 40 / slot 8 offers room for at least four cables each with a maximum of 5 mm diameter. Up to four cables with a maximum diameter of 6 mm can be tucked away in the version for profile 45 / slot 10.

Perfect duo: FATH Light for Slot and FATH Corner Connectors with Cable Passage

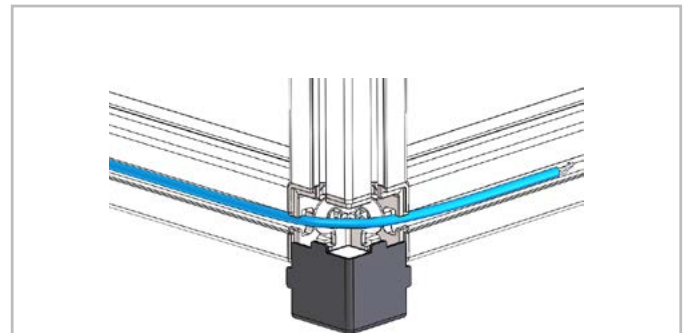
This corner connector is the perfect complement to the **FATH** Light for Slot – an innovation from the **FATH** LAB that makes a completely new type of illumination possible: light directly in the slot, and with protection class IP68! This allows you to provide light at the work table and assembly site and wherever it is needed at the profile structure. A special cable with a miniature connector was developed for the power supply of the **FATH** Light for Slot and allows the cable to run directly in the slot.

If the **FATH** Light for Slot is used in combination with the **FATH** Corner Connectors with Cable Passage, you can house the miniature cables securely and neatly in the slot – and guide them directly through the corner connection of the profile. All types of installation are designed for fixed installation of the modules in order to ensure safe operation.

Versions for 2D and 3D profile structures



FATH Corner Connector with 2D Cable Passage: connection for right-angled two-dimensional profile structures



FATH Corner Connector with 3D Cable Passage: connection for rectangular three-dimensional profile structures



Get to know it better now!

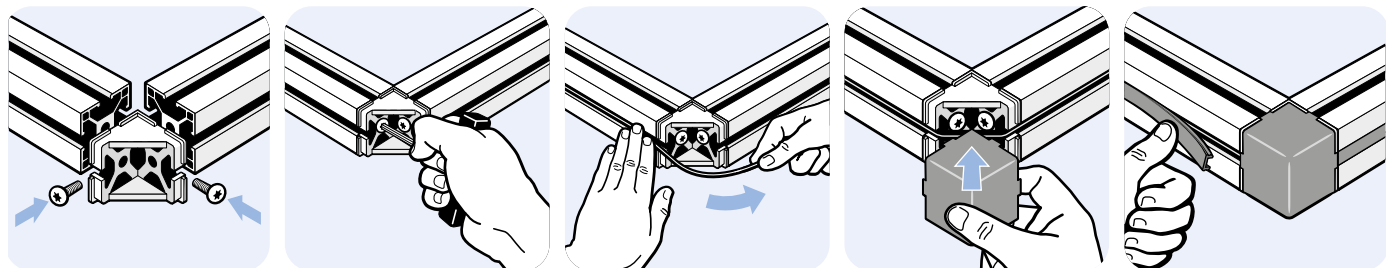
cable-corner.fath24.com

CORNER CONNECTOR 40, 2D WITH CABLE PASSAGE (SET)

MODEL	Zinc die-cast, profile 40
DESCRIPTION	To connect two aluminum profiles at right angles, with opening in slot geometry for passage of cables; With cover cap to cover the open side of the corner connector
MATERIAL	Corner connector: Zinc die-cast Cover cap: Plastic PA, glass ball reinforced Self forming screw: Steel
SURFACE	Corner connector: Zinc plated Self forming screw: Zinc plated
COLOR	Cover cap: gray ≈ RAL 7042
SET	1 corner connector 40, 2D with cable passage 1 cover cap 2 self forming screws - S7 x 22
PACK QUANTITY	1 set
SPECIALS	Other materials, other surfaces, other colors on request



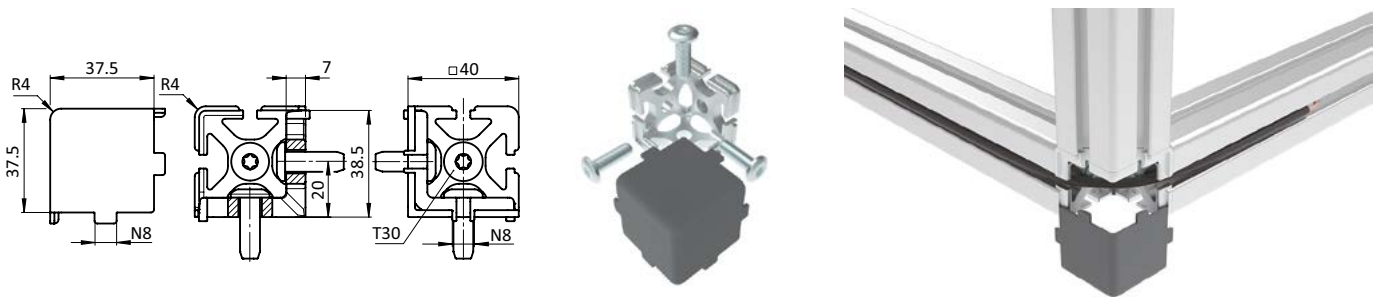
N	Weight [g]	Profile	Part #
8	115.0	I	093WC406N08VS01



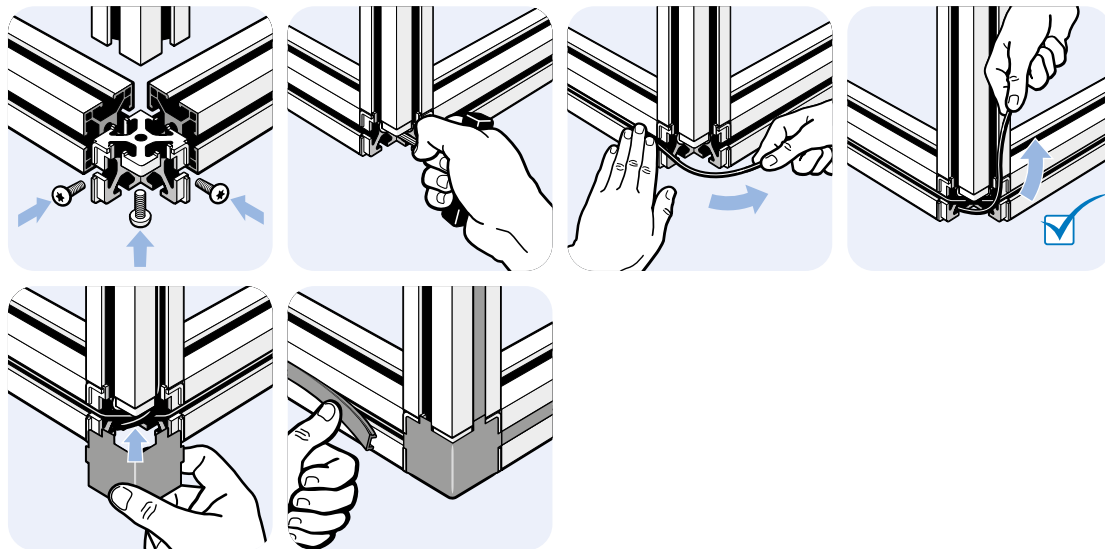
2

CORNER CONNECTOR 40, 3D WITH CABLE PASSAGE (SET)

MODEL	Zinc die-cast, profile 40
DESCRIPTION	To connect two aluminum profiles at right angles, with opening in slot geometry for passage of cables; With cover cap to cover the open side of the corner connector
MATERIAL	Corner connector: Zinc die-cast Cover cap: Plastic PA, glass ball reinforced Self forming screw: Steel
SURFACE	Corner connector: Zinc plated Self forming screw: Zinc plated
COLOR	Cover cap: gray ≈ RAL 7042
SET	1 corner connector 40, 3D with cable passage 1 cover cap 3 self forming screws - S7 x 22
PACK QUANTITY	1 set
SPECIALS	Other materials, other surfaces, other colors on request



N	Weight [g]	Profile	Part #
8	121.5	I	093WC407N08V501

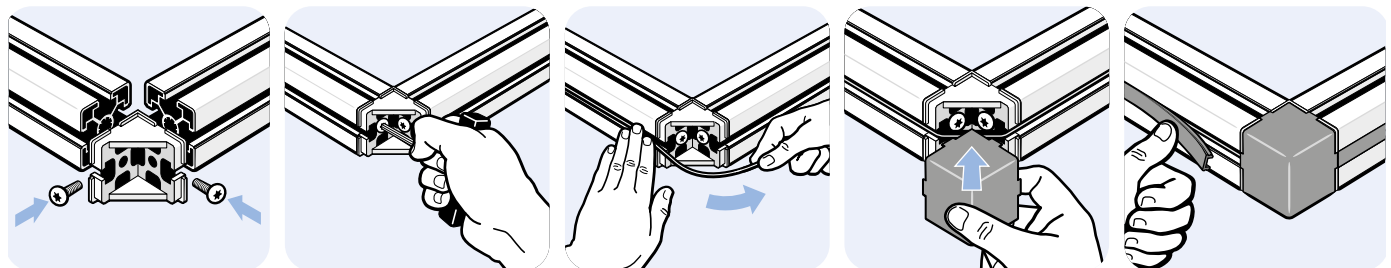


CORNER CONNECTOR 45, 2D WITH CABLE PASSAGE (SET)

MODEL	Zinc die-cast, profile 45
DESCRIPTION	To connect two aluminum profiles at right angles, with opening in slot geometry for passage of cables; With cover cap to cover the open side of the corner connector
MATERIAL	Corner connector: Zinc die-cast Cover cap: Plastic PA, glass ball reinforced Self forming screw: Steel
SURFACE	Corner connector: Zinc plated Self forming screw: Zinc plated
COLOR	Cover cap: gray ≈ RAL 7004
SET	1 corner connector 45, 2D with cable passage 1 cover cap 2 self forming screws - S12 x 30
PACK QUANTITY	1 set
SPECIALS	Other materials, other surfaces, other colors on request



N	Weight [g]	Profile	Part #
10	170.0	B	093WC456N10VS01



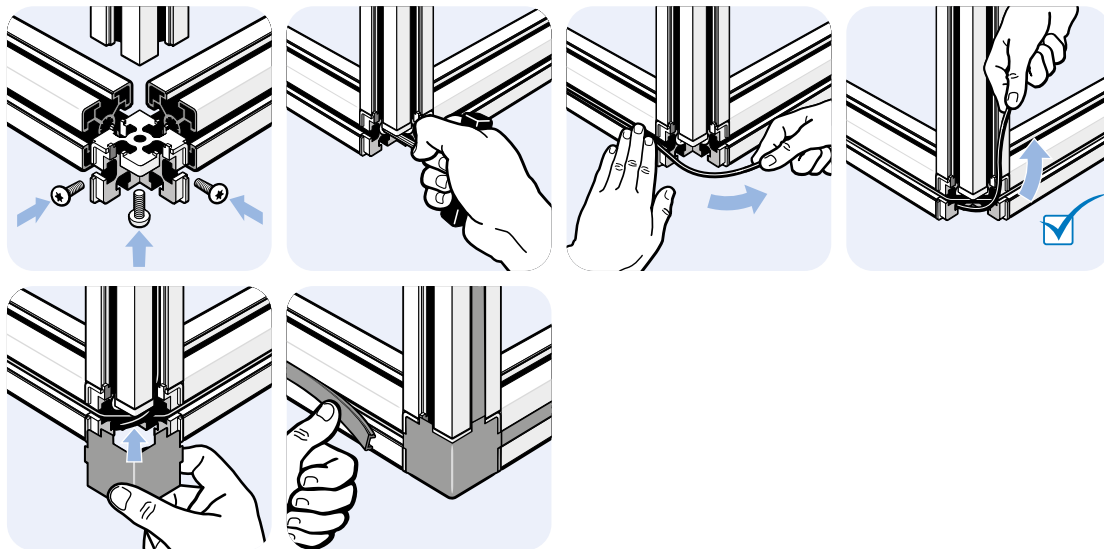
2

CORNER CONNECTOR 45, 3D WITH CABLE PASSAGE (SET)

MODEL	Zinc die-cast, profile 45
DESCRIPTION	To connect two aluminum profiles at right angles, with opening in slot geometry for passage of cables; With cover cap to cover the open side of the corner connector
MATERIAL	Corner connector: Zinc die-cast Cover cap: Plastic PA, glass ball reinforced Self forming screw: Steel
SURFACE	Corner connector: Zinc plated Self forming screw: Zinc plated
COLOR	Cover cap: gray ≈ RAL 7004
SET	1 corner connector 45, 3D with cable passage 1 cover cap 3 self forming screws - S12 x 30
PACK QUANTITY	1 set
SPECIALS	Other materials, other surfaces, other colors on request

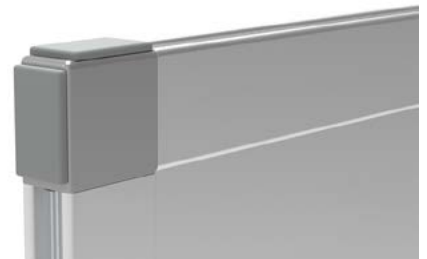
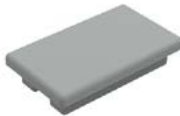
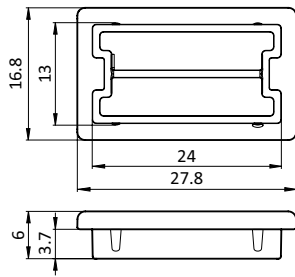


N	Weight [g]	Profile	Part #
10	203.0	B	093WC457N10VS01



COVER CAP FOR FRAME CORNER CONNECTOR 18 X 32

MODEL	Plastic PA
DESCRIPTION	To cover the open sides of the frame corner connector 18 x 32
MATERIAL	Plastic PA
COLOR	Gray ≈ RAL 7042
PACK QUANTITY	100 pieces



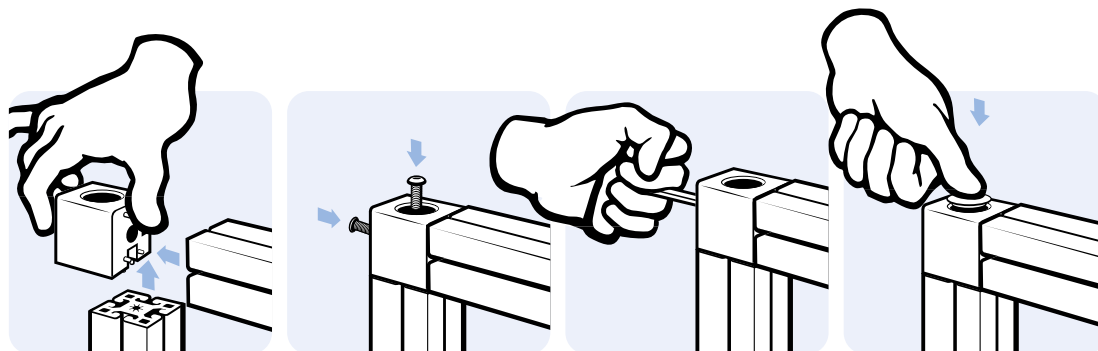
Weight [g]	Part #
1.7	093WWCA18321S01

CUBE CONNECTOR 20, 2D

MODEL	Zinc die-cast, with Cover Caps
DESCRIPTION	To connect two aluminium profiles at right angles; with cover caps to cover the bores
MATERIAL	Cube connector: Zinc die-cast Cover caps: Plastic PA Assembly set: Steel
SURFACE	Cube connector: Plain / powder coated Cover caps: Laquered Assembly set: Zinc plated
COLOR	Cube connector: Alu color Cover caps: Black / alu color
ASSEMBLY SET 1	2 screws ISO 7380 - M5 x 14
ASSEMBLY SET 2	2 self-forming screws S6 x 16 - AF 4
PACK QUANTITY	10 pieces



Version	Surface	Color	L [mm]	R [mm]	Slot	Assembly Set	D1 [mm]	D2 [mm]	Weight [g]	Profile	Part #
Cover cap: alu color	Powder coated	Alu color	20.0	1.5	5		12.0	5.2	35.0	I	093WW203N05
Cover cap: Black	Plain		20.0	1.5	6		12.0	6.3	33.0	B	093WW203N06R
Cover cap: alu color	Powder coated	Alu color	20.0	1.5	5	With assembly set 1	12.0	5.2	39.0	I	093WW203N05S01
Cover cap: Black	Plain		20.0	1.5	6	With assembly set 2	12.0	6.3	41.0	B	093WW203N06RS



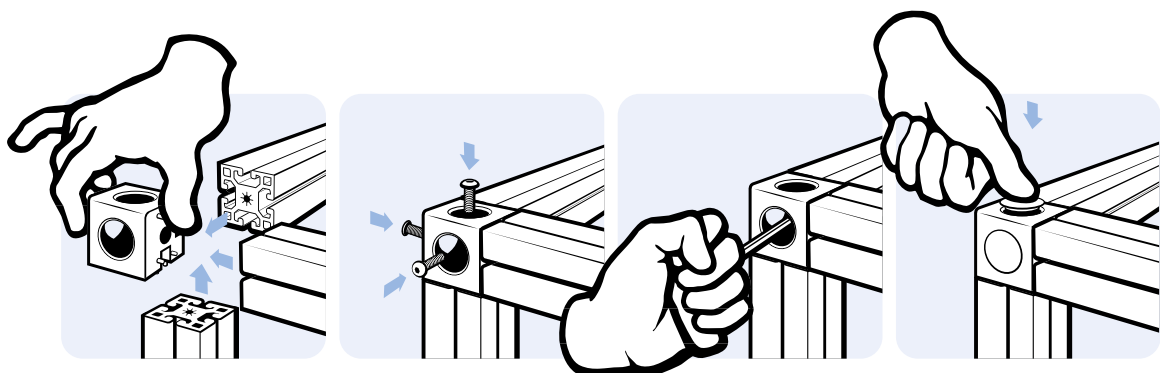
CUBE CONNECTOR 20, 3D

MODEL	Zinc die-cast, with Cover Caps
DESCRIPTION	To connect three aluminum profiles at right angles; with cover caps to cover the bores
MATERIAL	Cube connector: Zinc die-cast Cover caps: Plastic PA Assembly set: Steel
SURFACE	Cube connector: Plain / powder coated Cover caps: Laquered Assembly set: Zinc plated
COLOR	Cube connector: Alu color Cover caps: Black / alu color
ASSEMBLY SET 1	3 screws ISO 7380 - M5 x 14
ASSEMBLY SET 2	3 self-forming screws S6 x 16 - AF 4
PACK QUANTITY	10 pieces



Version	Surface	Color	L [mm]	R [mm]	Slot	Assembly Set	D1 [mm]	D2 [mm]	Weight [g]	Profile	Part #
Cover cap: alu color	Powder coated	Alu color	20.0	1.5	5		12.0	5.2	28.0	I	093WW204N05
Cover cap: Black	Plain		20.0	1.5	6		12.0	6.3	26.0	B	093WW204N06R
Cover cap: alu color	Powder coated	Alu color	20.0	1.5	5	With assembly set 1	12.0	5.2	35.0	I	093WW204N05S01
Cover cap: Black	Plain		20.0	1.5	6	With assembly set 2	12.0	6.3	38.0	B	093WW204N06RS

2

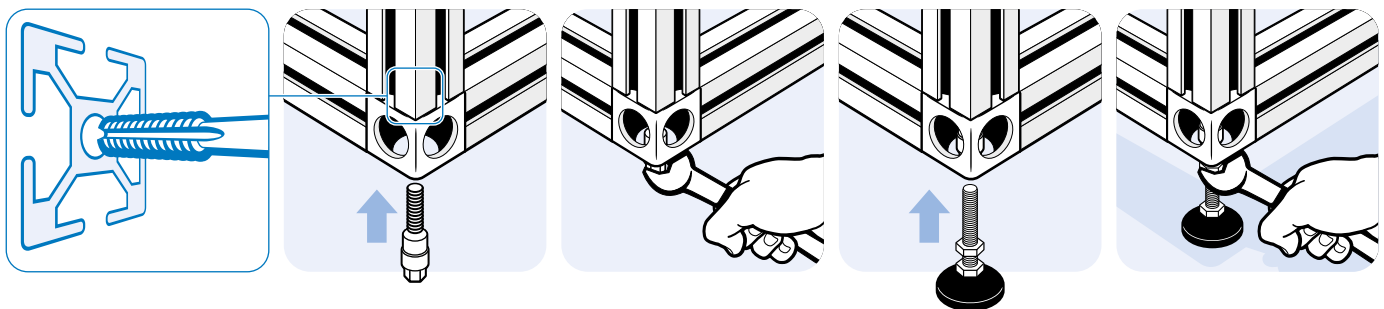


THREADED CONNECTION STUD FOR CUBE CONNECTOR

MODEL	Steel
DESCRIPTION	To mount cube connectors 2D or 3D and attach leveling feet or swivel and fixed castors at the same time
MATERIAL	Steel
SURFACE	Zinc plated
PACK QUANTITY	1 piece

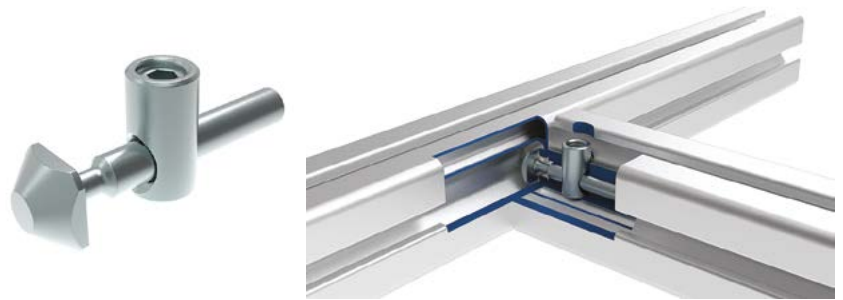
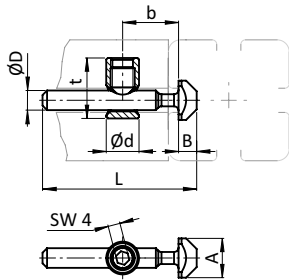


Version	H [mm]	L [mm]	SW [mm]	Slot	ØD [mm]	Ød [mm]	h [mm]	M	Weight [g]	Profile	Part #
For cube connector B30	26.0	60.0	13	8	17.0	15.0	24.0	M8	44.0	B	093GB60S110A8SW13
For cube connector I40	30.0	72.0	17	8	23.0	15.0	28.0	M8	85.0	I	093GI72S110A8SW17
For cube connector B40 or B45	30.0	74.0	19	10	23.0	19.0	28.0	M12	19.0	B	093GB74S110A12SW19



CENTRAL CONNECTOR | 90° +/-45°

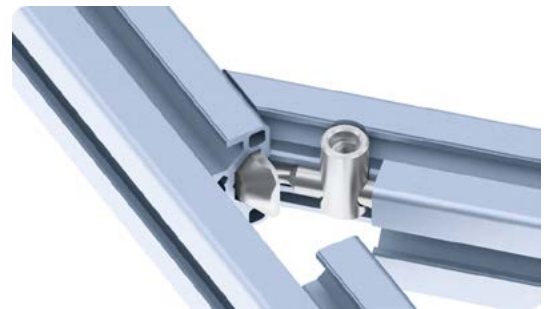
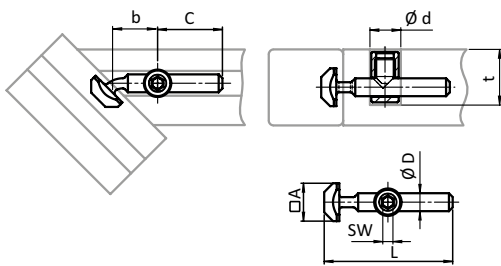
MODEL	Steel / stainless steel
DESCRIPTION	End-to-end connection of two aluminum profiles of the same type; a blind or through hole must be drilled before the assembly; bendable from 45° to 135°
MATERIAL	Tie-rod: Stainless steel Bushes: Steel
SURFACE	Tie-rod: Plain Bushes: Zinc plated
PACK QUANTITY	10 pieces



A [mm]	D [mm]	b [mm]	B [mm]	d [mm]	L [mm]	SW [mm]	Slot t [mm]	Weight [g]	Profile	Part #	
13.0	6.5	18.5	6.0	11.0	51.0	4	8	20.0	24.6	I	099B0811S03

CENTRAL CONNECTOR B 90° +/-45°

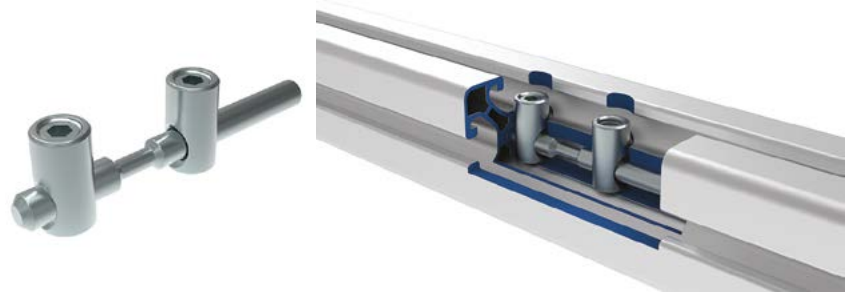
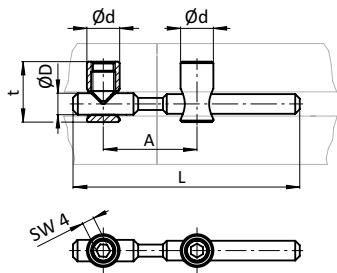
MODEL	Steel / stainless steel
DESCRIPTION	End-to-end connection of two aluminum profiles of the same type; a blind or through hole must be drilled before the assembly; bendable from 45° to 135°
MATERIAL	Tie-rod: Stainless steel Bushes: Steel
SURFACE	Tie-rod: Plain Bushes: Zinc plated
PACK QUANTITY	10 pieces
TIP	Cover Cap* (1) = profile 40; (2) profile 45; (3) profile 50



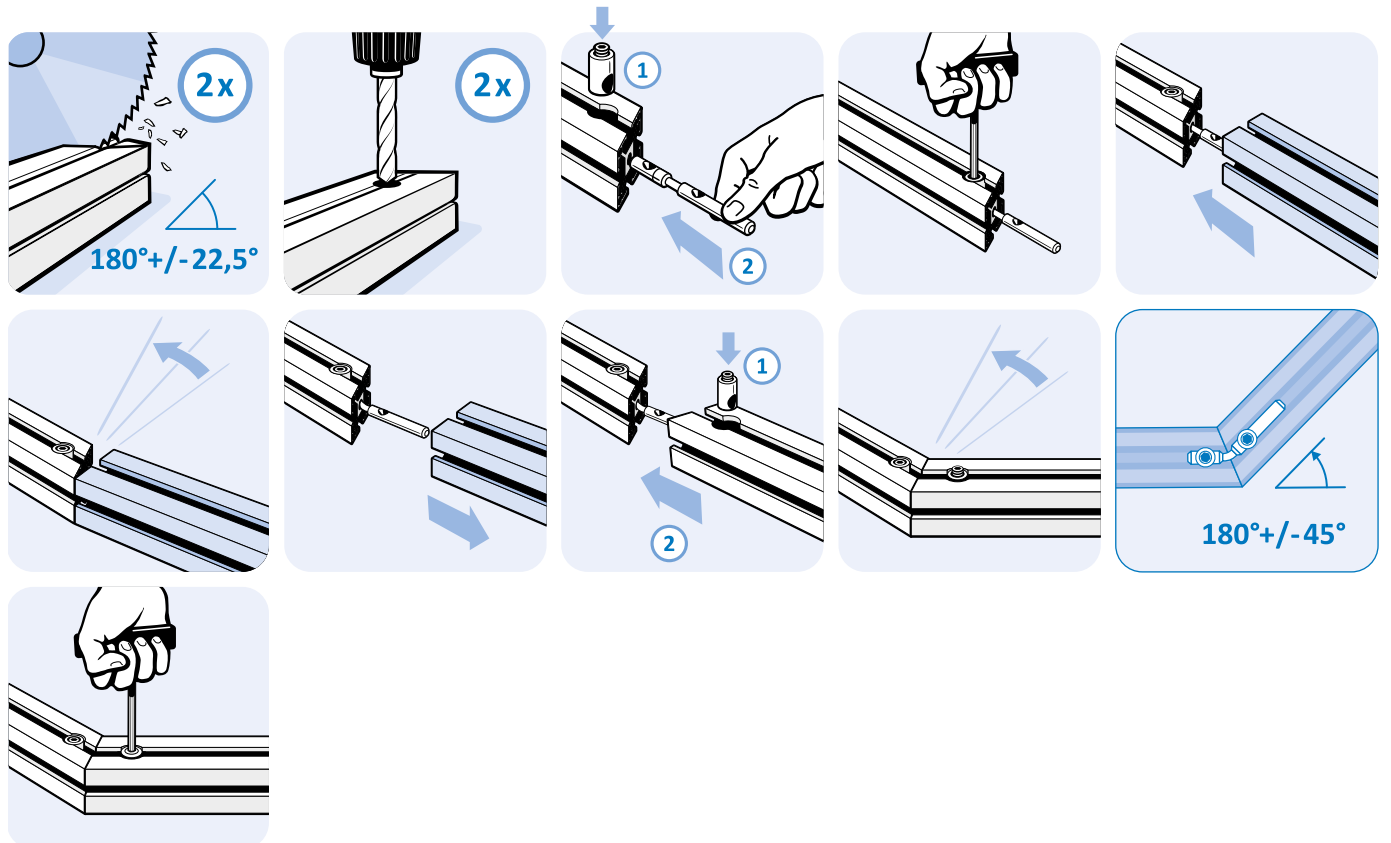
D [mm]	b [mm]	d [mm]	L [mm]	SW [mm]	Slot	t [mm]	Weight [g]	Profile	Part #
7.1	18.0	Ø11	51.0	4	8	22.0	27.0	B	099B0811S02
9.8	22.5	Ø17	75.0	6	10	31.0 *(1)	76.0	B	099B1017S02
						34.0 *(2)			
						36.0 *(3)			

CENTRAL BUTT CONNECTOR | 180° +/-45°

MODEL	Steel / stainless steel
DESCRIPTION	End-to-end connection of two aluminum profiles of the same type; a blind or through hole must be drilled before the assembly; bendable from 90° to 180°
MATERIAL	Tie-rod: Stainless steel Bushes: Steel
SURFACE	Tie-rod: Plain Bushes: Zinc plated
PACK QUANTITY	10 pieces



A [mm]	D [mm]	d [mm]	L [mm]	SW [mm]	Slot	t [mm]	Weight [g]	Profile	Part #
31.0	6.5	11.0	75.0	4	8	20.0	25.6	I	099B0811504



2

CENTRAL BUTT CONNECTOR B 180° +/-45°

MODEL	Steel / stainless steel
DESCRIPTION	End-to-end connection of two aluminum profiles of the same type; a blind or through hole must be drilled before the assembly; bendable from 90° to 180°
MATERIAL	Tie-rod: Stainless steel Bushes: Steel
SURFACE	Tie-rod: Plain Bushes: Zinc plated
PACK QUANTITY	10 pieces
TIP	Cover Cap* (1) = profile 40; (2) profile 45; (3) profile 50



A [mm]	D [mm]	b [mm]	B [mm]	d [mm]	L [mm]	SW [mm]	Slot	t [mm]	Weight [g]	Profile	Part #
31.0	7.1	18.0	10.0	Ø11	75.0	4	8	22.0	28.0	B	099B0811S01
37.5	9.8	22.5	15.0	Ø17	100.0	6	10	31.0 *(1)	79.0	B	099B1017S01
								34.0 *(2)			
								36.0 *(3)			

ROLL-IN DOUBLE T-SLOT NUT FOR UNIVERSAL CONNECTOR

MODEL	Slot 8, steel
DESCRIPTION	Roll-in double T-slot nut
MATERIAL	Steel
SURFACE	Zinc plated
PACK QUANTITY	100 pieces
SPECIALS	Different lengths with multiple threads in different sizes available on request

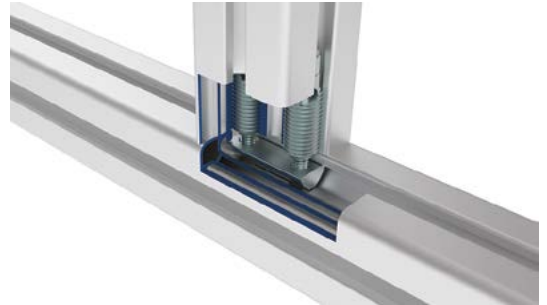
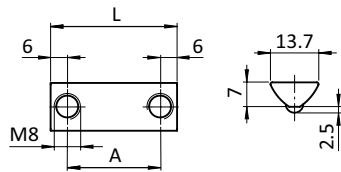


Fig.	Version	A [mm]	L [mm]	Size	Weight [g]	Profile	Part #
①	With spring loaded ball	24.0	36.0	M8	14.0	I	096008D36S03

ROLL-IN DOUBLE T-SLOT NUT FOR AUTOMATIC CONNECTOR I, SLOT 8

MODEL	Slot 8, steel
DESCRIPTION	Roll-in double T-slot nut
MATERIAL	Steel
SURFACE	Zinc plated
PACK QUANTITY	100 pieces
SPECIALS	Different lengths with multiple threads in different sizes available on request

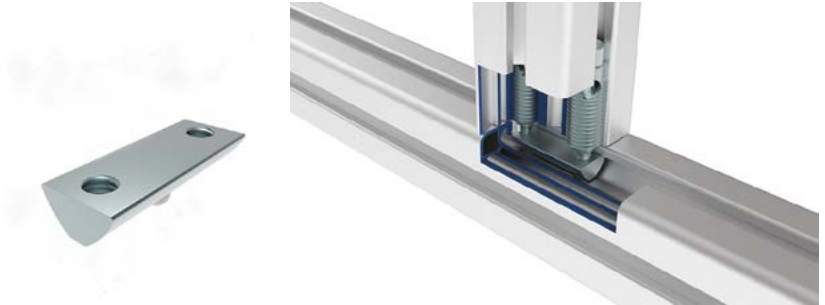
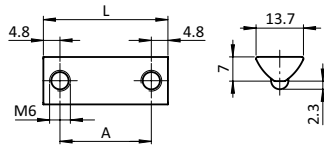
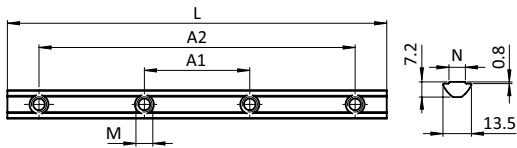


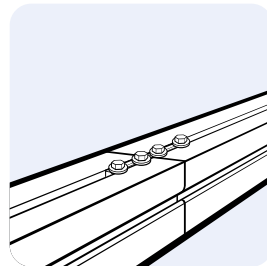
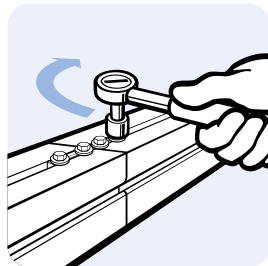
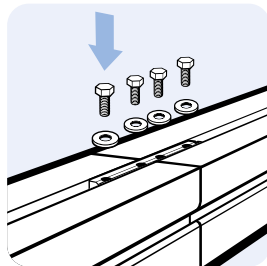
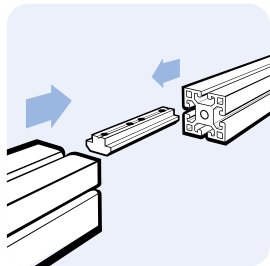
Fig.	Version	A [mm]	L [mm]	Size	Weight [g]	Profile	Part #
①	With spring loaded ball	26.4	36.0	M6	16.0	I	096006D36S01

CONNECTING STRIP 180 I, SLOT 8

MODEL	Steel
DESCRIPTION	End-to-end connection of two aluminum profiles without machining
MATERIAL	Steel
SURFACE	Zinc plated
ASSEMBLY SET	4 screws DIN 933 (ISO 4017) - M8 x 16 4 washers DIN EN ISO 7089 (DIN 125)
PACK QUANTITY	10 pieces



Version	L [mm]	Slot	Size	A1 [mm]	A2 [mm]	Weight [g]	Profile	Part #
	180.0	8	M8	50.0	150.0	89.0	I	096020S46
incl. assembly set	180.0	8	M8	50.0	150.0	133.0	I	096020S74



CONNECTING STRIP 180 B, SLOT 8

MODEL	Steel
DESCRIPTION	End-to-end connection of two aluminum profiles without machining
MATERIAL	Steel
SURFACE	Zinc plated
ASSEMBLY SET	4 screws DIN EN ISO 4762 (DIN 912) - M6 x 12, 4 washers DIN 7349 - 6.4
PACK QUANTITY	10 pieces / sets

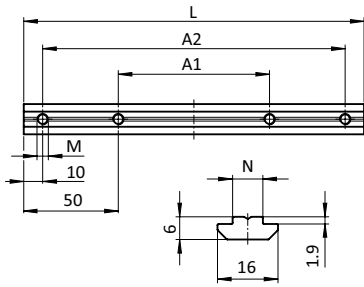
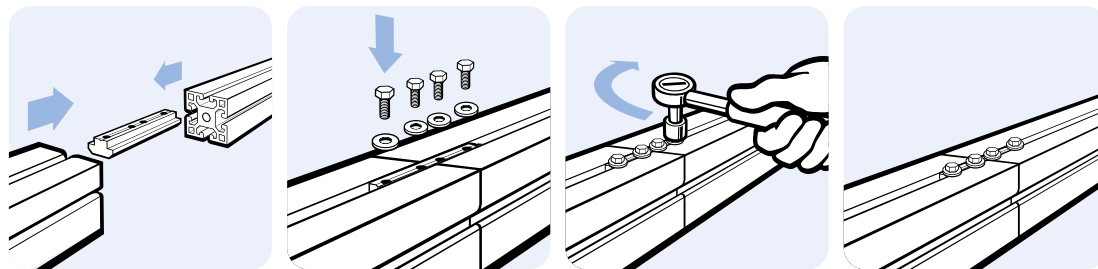
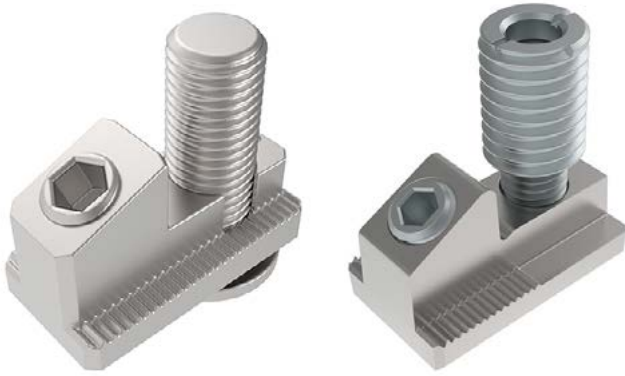


Fig.	Version	L [mm]	Size	A1 [mm]	A2 [mm]	N	Weight [g]	Profile	Part #
①		180.0	M6	80.0	160.0	8	99.8	B	096010S10





PROFILE CONNECTORS 90°

Connect aluminium profiles at right angles – quickly and easily with the FATH Profile Connectors 90°



- Can be done without having to machine the profiles
- Available with self-forming screw
- Easy to remount
- Profile structure has a free interior area
- Anti-rotation protection included
- ESD electrostatically discharging

HIGHLIGHTS

It couldn't be simpler!

Fasten the profile connector 90° to the profile, mount the second profile, tighten and done! The aluminum profiles are now connected at a 90° angle by the durable steel profile – stable and secure. With the self-forming version, the profile connector can be mounted without prior processing to the profile. It is ideally suited to light to medium-sized connections as well as profile designs with panel material. Profiles can be connected with slot 8 or slot 10 – with the slot 10 profile connector, the necessary M12 or S12 reducing bushes for screwing into the core hole are included.

A clever detail protects the profile connection from twisting. The long side of the steel body is equipped with teeth which dig into the profile surface when the profile connector is tightened, thus preventing

twisting or slipping. In addition, the anodized layer is broken up, resulting in a safe, electrostatic discharge (ESD). The interior area can be designed flexibly, since the inner slot of the profile construction remains free. Any panel material, such as acrylic glass etc., can easily be inserted and a wide variety of enclosures can be constructed with ease.

MINIMAL
PROCESSING
EFFORT



2

The added convenience for installation: Easily accessible in the corner

The Profile Connector 90° is made up of a steel body, screw, pre-assembled set screw and, for the slot 10 version, an additional reducing bush. The assembly screw is easily screwed into the core hole in the profile in order to fasten the profile connector. It is then inserted into the profile slot of the second profile. After that, it is put under tension by tightening the set screw with an hexagon socket wrench so that it presses against the head of the mounting screw until the profile connector is firmly seated in the profile.

The set screw of the profile connector runs diagonally to the profile, making it easily accessible through the free area. It can be loosened with a few turns at any time to move the profile or dismantle the connection. Installation and removal of the right-angled profile structure are completed in seconds and the Profile Connector 90° can be reused.

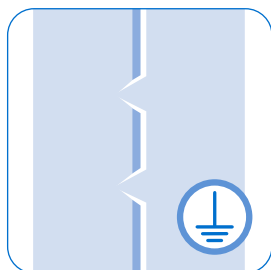
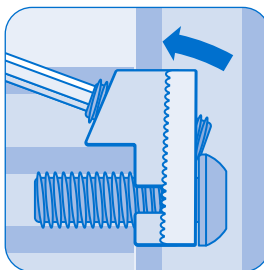
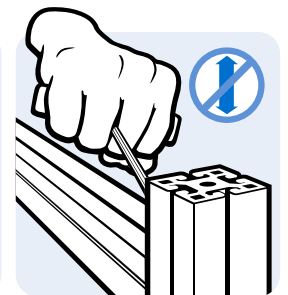
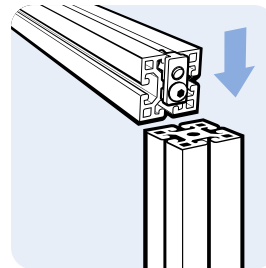
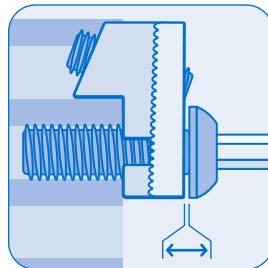
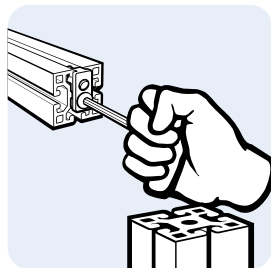
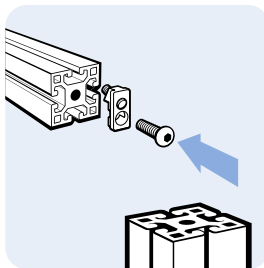
CLEVER COMPONENTS FOR STRONG CONNECTIONS

ESD electrostatically discharging and anti-rotation protection included

A clever detail protects the profile connection from twisting. The long side of the steel body is equipped with teeth which dig into the profile surface when the profile connector is tightened, thus preventing twisting or slipping. In addition, the anodized layer is broken up, resulting in a safe, electrostatic discharge (ESD).

Free interior – free design

The interior area can be designed flexibly, since the inner slot of the profile construction remains free. Any panel material, such as acrylic glass etc., can easily be inserted and a wide variety of enclosures can be constructed with ease.



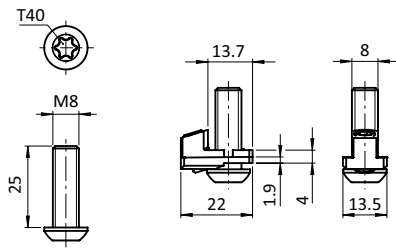
Get to know it
better now!

profile-connector-90.fath24.com

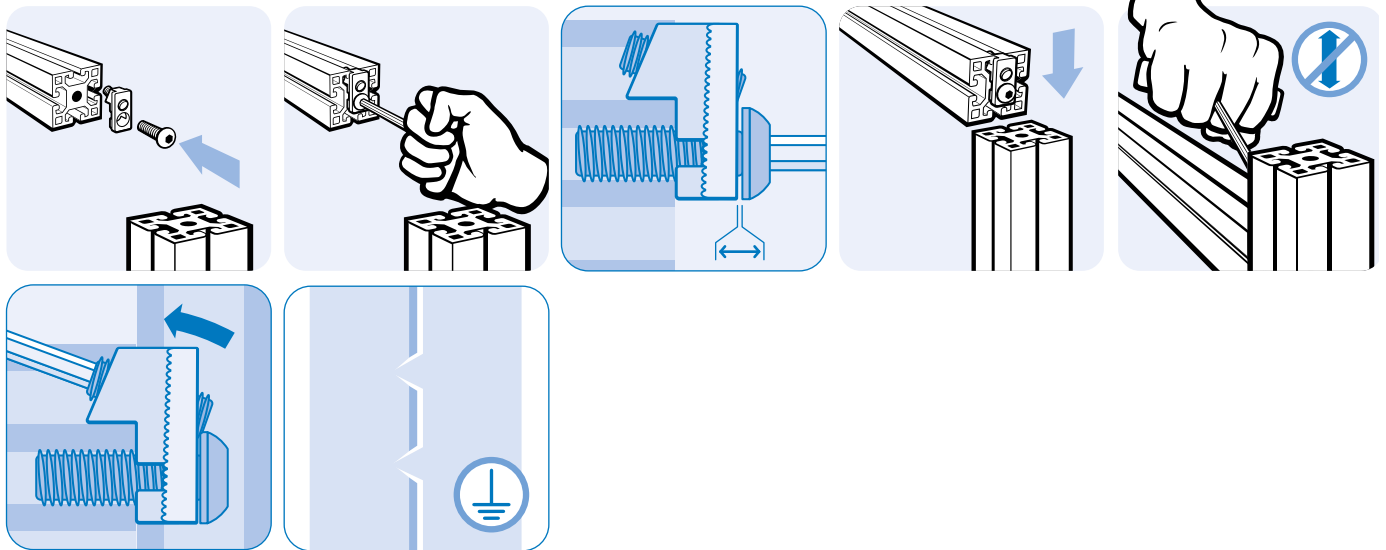


PROFILE CONNECTOR 90° B / M30, SLOT 8 (SET)

MODEL	Steel, slot 8
DESCRIPTION	To connect two aluminum profiles at right angles
MATERIAL	Steel
SURFACE	Zinc plated
SET	1 Profile Connector 90° B / M30 1 self forming screw S8 x 25



Slot	Weight [g]	Profile	Part #
8	22.0	B	099J08S08S03



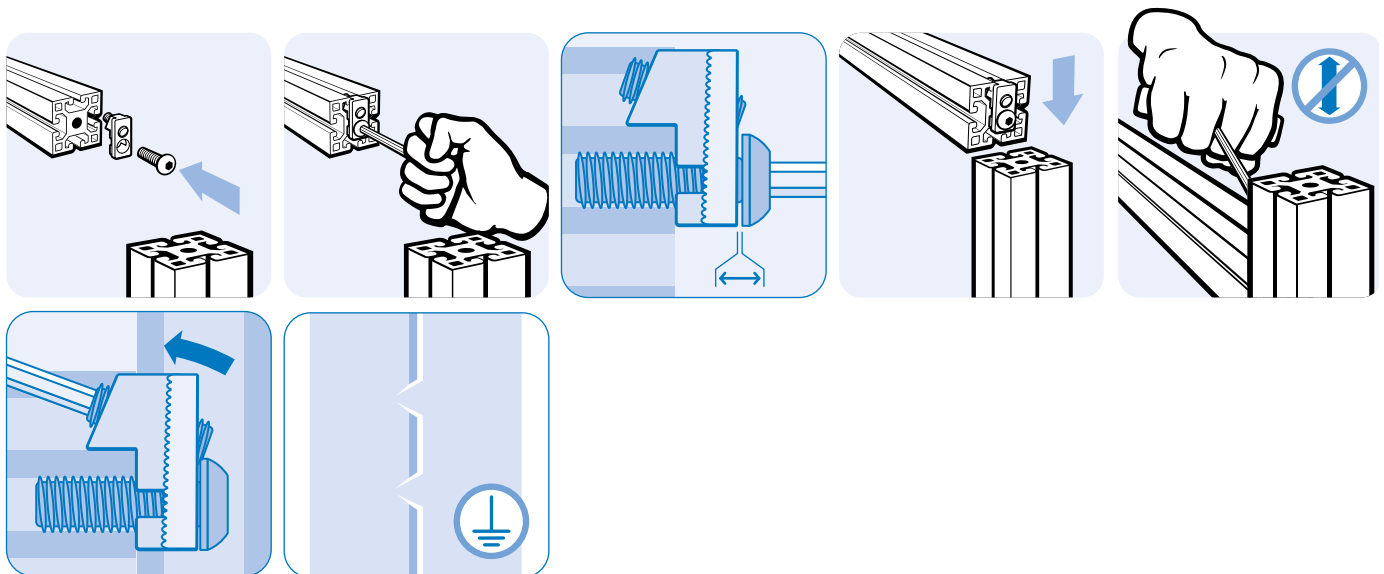
2

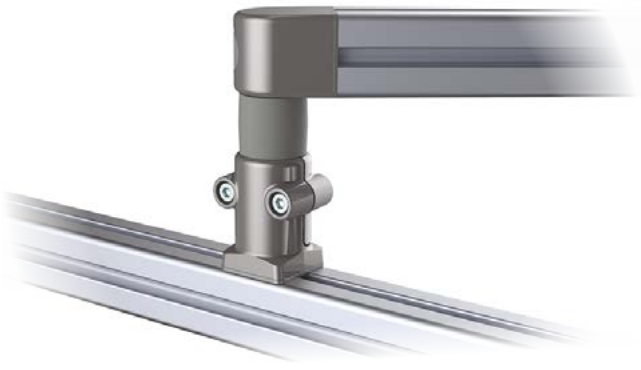
PROFILE CONNECTOR 90° M45, SLOT 8 (SET)

MODEL	Steel, slot 8
DESCRIPTION	To connect two aluminum profiles
MATERIAL	Steel
SURFACE	Zinc plated
SET 1	1 profile connector 90° M 1 screw M8 x 25
SET 2	1 profile connector 90° M 1 self-forming screw S8 x 25
PACK QUANTITY	10 pieces



Set	Weight [g]	Part #
Set 1	28.0	099J08M08
Set 2	28.0	099J08S08





FRICITION JOINTS FOR SYSTEM ARMS (SET)

FATH Friction Joints:
Endless possibilities for your assembly workstations



- Fixed friction torque in 6 levels
- Freely adjustable friction torque
- Easy to assemble
- Can be mounted lengthwise, crosswise and on the front
- Finished system arms can be adjust multi-dimensionally

HIGHLIGHTS

Build your swivel arms in individual lengths and designs with **FATH** Friction Joints. The joints feature a permanently set friction torque that is available in 6 levels. Combine the different friction torques to adapt your system arm to your application. Versions with freely adjustable friction torque are also available. You can adjust the friction with a clamping lever or simple tool exactly as your application requires – virtually continuously from light to strong.

The axes of the **FATH** Friction Joints can be positioned both vertically and horizontally. This opens up a wide range of new possibilities for making tools and work materials available in an ergonomic and organized manner.

By a simple turning, the finished system arm can be adapted multi-dimensionally to different working positions and workpiece, product or body sizes.

**FIXED & FREE
ADJUSTABLE
FRICITION-
TORQUES**



Flexible installation

FATH Friction Joints can be attached to the profile lengthwise, crosswise or on the front. The sets already contain the installation material for lateral attachment with T-slot nuts in profile slot 8 or 10 as well as for front attachment on a profile piece with an M8 core hole. To reduce a \varnothing 10.2 mm core hole to thread size M8, you can use a **FATH** Cutting Bush with Shank 09308801.

For installation on flat surfaces, the supplied slot fixing plates are simply omitted.

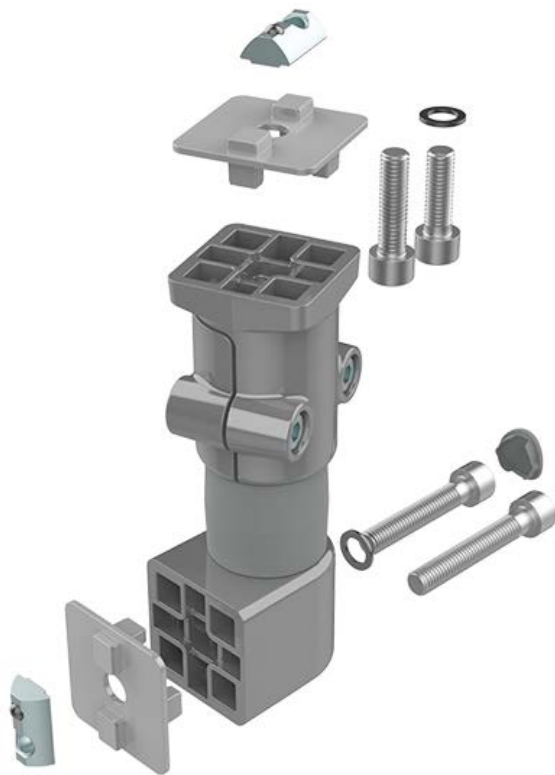
ERGONOMIC PROVISION

Easy to install and with different versions to suit your needs

Assembling the **FATH** Friction Joints is incredibly easy. The openings for the fixing screws are easily accessible from the outside – simply insert the screws through the joint halves and tighten the profile in the desired position. The mounting holes of the **FATH** Friction Joints are hidden with cover caps.

Optional M8 connection adapter

This stable connection to profiles with slot 8 or slot 10 is ideally suited for the construction of customized solutions. The M8 connection adapter can be attached to the profile both longitudinally and on the front. When using the centering piece, the central M8 screw connection can be secured against twisting. A friction joint half and an assembly set suitable for the profile size are required to install the M8 connection adapter at the end of your system arm.



Versions:

Available in 7 different versions: with a fixed friction torque of...

- 0,5 Nm
- 3 Nm
- 6 Nm
- 9 Nm
- 12 Nm
- 15 Nm

and with freely adjustable friction torque from light to strong.



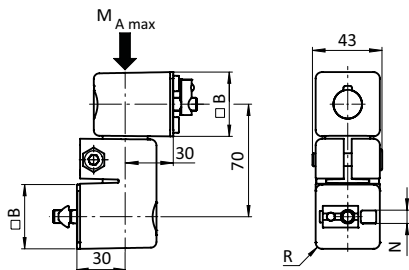
Get to know it
better now!

frictionjoint.fath24.com

ADJUSTABLE FRICTION JOINT I40L FOR SYSTEM ARM (SET)

MODEL	40 mm modular dimension
DESCRIPTION	Connection joint with friction for the creation of system arms using profile pieces; pivotable 360°, friction is continuously adjustable via clamping screw (or optional locking lever); End side can be attached lateral or transverse on the profile slot, friction axis is positioned at right angles to the profile; Friction joint side can be attached lateral, transverse, or on the face of the profile; if attached on the front face, the core hole of the respective profile must be M8 threaded (min. 15 mm deep)
MATERIAL	Housing: Aluminum die-cast Cover ring: Plastic Inserts: Steel Friction shaft: Steel Cover caps: Plastic Screws: Steel Washers: Steel Centering plates: Aluminum die-cast T-slot nuts: Steel
SURFACE	Housing: Powder coated Centering plates: Powder coated Screws: Zinc plated Washers: Zinc plated T-slot nuts: Zinc plated
COLOR	Housing: Alu color Cover ring: Gray ≈ RAL 7042 Cover caps: Gray ≈ RAL 7042 Centering plates: Alu color
SET	1 friction joint 2 cover caps 2 screws DIN EN ISO 4762 (DIN 912) - M8 x 45 (for T-slot nut) 2 screws DIN EN ISO 4762 (DIN 912) - M8 x 50 (for core hole) 2 screws DIN EN ISO 4762 (DIN 912) - M8 x 35 (for clamping) 2 washers 8-FSt 2 centering plates 2 T-slot nuts - slot 10 - M8
PACK QUANTITY	1 set
TIP	Compatible Locking Lever for Adjustable Friction Joint see 041LL065K91M0840MS01

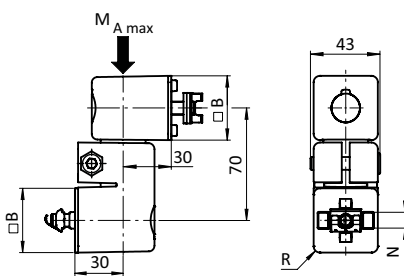
2



MMax [Nm]	B [mm]	R [mm]	N	Weight [g]	Profile	Part #
45.0	40.0	4.0	8	876.3	I	061FFZ40LN08

ADJUSTABLE FRICTION JOINT B40L FOR SYSTEM ARM (SET)

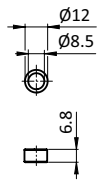
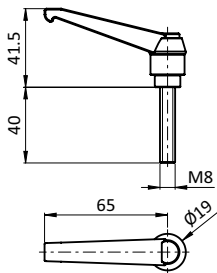
MODEL	40 mm modular dimension
DESCRIPTION	Connection joint with friction for the creation of system arms using profile pieces; pivotable 360°, friction is continuously adjustable via clamping screw (or optional locking lever); End side can be attached lateral or transverse on the profile slot, friction axis is positioned at right angles to the profile; Friction joint side can be attached lateral, transverse, or on the face of the profile; if attached on the front face, the core hole of the respective profile must be M8 threaded (min. 15 mm deep)
MATERIAL	Housing: Aluminum die-cast Cover ring: Plastic Inserts: Steel Friction shaft: Steel Cover caps: Plastic Screws: Steel Washers: Steel Centering plates: Aluminum die-cast T-slot nuts: Steel
SURFACE	Housing: Powder coated Centering plates: Powder coated Screws: Zinc plated Washers: Zinc plated T-slot nuts: Zinc plated
COLOR	Housing: Alu color Cover ring: Gray ≈ RAL 7042 Cover caps: Gray ≈ RAL 7042 Centering plates: Alu color
SET	1 friction joint 2 cover caps 2 screws DIN EN ISO 4762 (DIN 912) - M8 x 45 (for T-slot nut) 2 screws DIN EN ISO 4762 (DIN 912) - M8 x 50 (for core hole) 2 screws DIN EN ISO 4762 (DIN 912) - M8 x 35 (for clamping) 2 washers 8-FSt 2 centering plates 2 T-slot nuts - slot 10 - M8
PACK QUANTITY	1 set
TIP	Cutting bush for the reduction of the Ø 10.2 mm core hole to thread size M8 see 09308801
TIP 2	Compatible Locking Lever for Adjustable Friction Joint see 041LL065K91M0840MS01



	MAmax [Nm]	B [mm]	R [mm]	N	Weight [g]	Profile	Part #
	45.0	40.0	3.0	10	879.0	B	061FFZ40LN10

LOCKING LEVER FOR ADJUSTABLE FRICTION JOINT (SET)

MODEL	Plastic PA
DESCRIPTION	To adjust the friction without tools
MATERIAL	Locking lever: Plastic PA Bush: Copper
COLOR	Locking lever: Black
ASSEMBLY SET	1 locking lever M8 x 40 1 bush
PACK QUANTITY	1 set
TIP	Compatible Adjustable Friction Joints see 061FFZ40LN08 and 061FFZ40LN10



Weight [g]

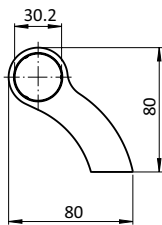
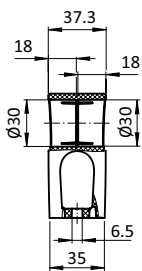
Part #

48.4

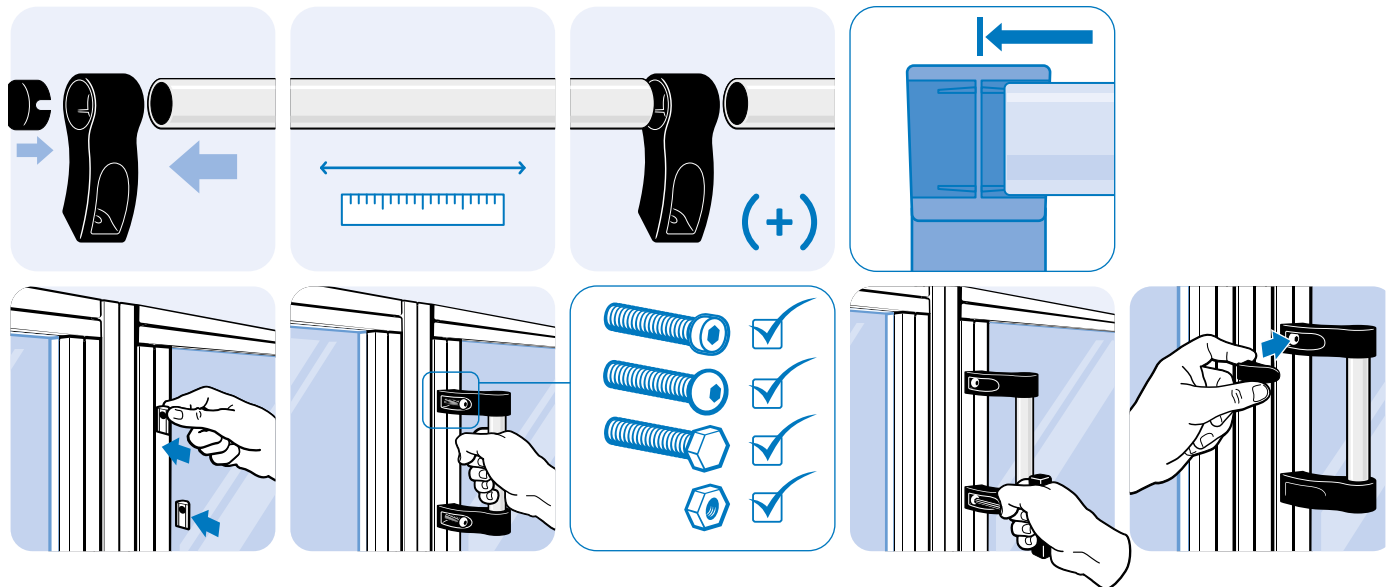
041LL065K91M0840MS01

SYSTEM HANDLE BENT

MODEL	Plastic PA
DESCRIPTION	To mount on doors, flaps and aluminum profiles, can be used as an end or middle piece
MATERIAL	Plastic PA, glass fiber reinforced
COLOR	Black
SET	2 system handle legs 2 cover caps for screw-on point 2 cover caps for open hole in system handle leg as end piece
FASTENING	From the front, using M6 screws
PACK QUANTITY	1 set
TIP	Please note: 1 set = 2 pieces
TIP 2	Compatible Cover Cap for Comfort and System Handle (Set) see 092305

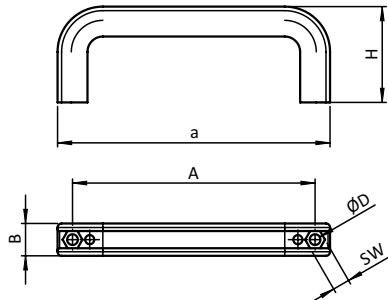


for Screw	Weight [g]	Part #
M6	118.0	092550



HANDLE

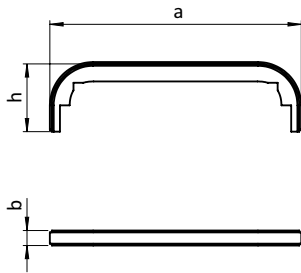
MODEL	Plastic PA, 120 and 160 mm
DESCRIPTION	To mount on doors, flaps and aluminum profiles
MATERIAL	Plastic PA, glass fiber reinforced
COLOR	Black, yellow, red, blue, gray
FASTENING	From the front with hexagon cap screws or socket head screws, or from the back using M8 hexagon nuts and bolts
PACK QUANTITY	10 pieces
SPECIALS	Other colors on request



Version	Color	A [mm]	B [mm]	H [mm]	ØD [mm]	SW	for Screw	a [mm]	Weight [g]	Part #
120	Gray ≈ RAL 7042	120.0	16.0	48.0	5.3	8.5	M5	134.0	30.0	092012S01
160	Gray ≈ RAL 7042	160.0	28.0	60.0	8.5	14.0	M8	188.0	91.4	092017S05

COVER CAP FOR HANDLE

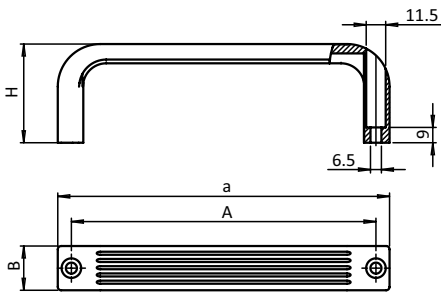
MODEL	Plastic PA, 120 and 160 mm
DESCRIPTION	To cover the open side of the handle
MATERIAL	Plastic PA, glass fiber reinforced
COLOR	Black, yellow, red, blue, gray
PACK QUANTITY	10 pieces
SPECIALS	Other colors on request



Master	Version	Color	b [mm]	a [mm]	h [mm]	Weight [g]	Part #
092019S01	120	Gray ≈ RAL 7042	8.0	133.5	37.0	5.7	092019S01
092018S05	160	Gray ≈ RAL 7042	18.0	186.0	47.0	21.4	092018S05

BRIDGE HANDLE B

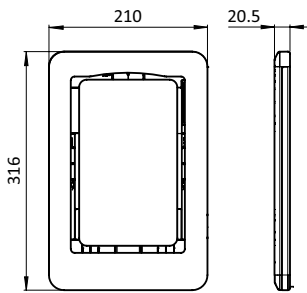
MODEL	Plastic PA
DESCRIPTION	To mount on doors, flaps and aluminum profiles
MATERIAL	Plastic PA, glass fiber reinforced
COLOR	Black, gray
FASTENING	From the front, using socket head screws
PACK QUANTITY	10 pieces
SPECIALS	Other colors on request



Version	Color	ESD	A [mm]	B [mm]	H [mm]	for Screw	a [mm]	Weight [g]	Part #
133	Gray ≈ RAL 7004		118.0	26.0	50.0	M6	133.0	52.9	092308S02
195	Gray ≈ RAL 7004		179.0	26.0	58.0	M6	195.0	74.4	092307S02

TABLET MOUNT FRAME

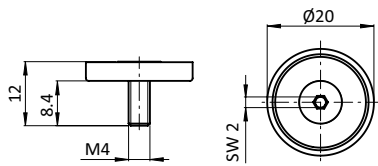
MODEL	Plastic PC
DESCRIPTION	To fix flat screens to aluminum profile structures or magnetic surfaces, VESA MIS-D 75/100 compatible
MATERIAL	Plastic PC
COLOR	Frontside: White ≈ RAL 9001 Backside: Gray
FASTENING	From the back, using M4 screws or magnetic
PACK QUANTITY	1 piece
TIP	Compatible Magnet for Tablet Mount FRAME see 6THM20 Compatible Monitor Mounting Plate see 061SM751004045 Compatible Monitor Mount see 061SM7510040 Compatible Monitor Mount ZN with Locking Lever see 061SM7510040FS03



	Version	Weight [g]	Part #
	Samsung Galaxy Tab S4 10.5"	401.5	6THSAM105S4
	Samsung Galaxy Tab A 10.5"	401.5	6THSAM105N
	Samsung Galaxy Tab A7 10.1"	405.2	6THSAM101A7
	Apple iPad Pro 11"	391.4	6THAPP110PRO
	Apple iPad Air 10.5"	401.5	6THAPP105AIR
	Apple iPad 9.7"	412.8	6THAPP097N
	Microsoft Surface GO 10"	410.2	6THMIC100GO

MAGNET FOR TABLET MOUNT FRAME (SET)

MODEL	Magnetic (neodymium)
DESCRIPTION	To fix table mounts to magnetic surfaces
MATERIAL	Magnets: Neodym Screws: Steel
SURFACE	Screws: Zinc plated
SET	4 magnets Ø 20 mm 4 screws M4x12
PACK QUANTITY	1 set
TIP	Compatible Tablet Mount FRAME se 6THSAM105S4



Weight [g]

Part #

56.6

6THM20

SYSTEM ARMS

Ergonomic positioning at the workplace in no time – with FATH System Arms



- Different connections at the end of the system arms
- Connection to profiles with horizontal or vertical slots
- Friction joints with fixed friction torque in six levels
- Easy adjustment depending on need
- Connection adapter and friction joints can be rotated 360°

HIGHLIGHTS

System Arms from **FATH** enable ergonomic positioning at the workplace in no time at all. Monitors, tool holders, grab trays, container attachments or trays for the provision of workpieces are held steadily in place. All system arms consist of friction joints with a permanently set friction torque and six different levels available for each joint. This means that the mobility can be adapted to fit any need. The system arms are delivered fully assembled ready for direct use at the work table.

Two different types are available: the system arm with 370 mm reach and the double system arm with 695 mm reach. Both types are available in the light version I40L and in the two heavy versions I40H and I80H.

WIDE RANGE OF CONNECTION OPTIONS



Wide range of connection options and optimal ergonomics

Design your assembly workstations ergonomically and achieve higher productivity. Up to four different connections at the end of the system arms provide a wide range of connection options. System Arms from **FATH** are ready for use with connection adapters – for stable connection to profiles with a horizontal or vertical slot. As well as with friction joints or double friction joints for flexible extension of the swivel arm. It is possible to attach a work tool if the system arm is extended by a monitor support. The connection adapter and the friction joints can be rotated 360°.

FATH System Arms with 370 mm reach:



FATH Double System Arms with 695 mm reach:



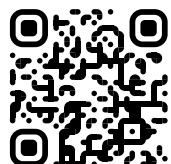
2

Construct your own system arms

FATH Friction Joints allow you to build your swivel arms in individual lengths and designs to fit your needs and requirements. In addition to the joints with fixed friction torque in six levels, versions with freely adjustable friction torque are available. All **FATH** Friction Joints can be attached to the profile lengthwise, crosswise or on the front. This gives you full flexibility for your tailor-made design.



More on **FATH** Friction Joints:
frictionjoint.fath24.com



Get to know it better now!

system-arm.fath24.com



SYSTEM ARM I40L 370 (SET)

MODEL	pre-assembled, profile 40 and up
DESCRIPTION	Stable pivot arm with a reach of approximately 370 mm and various connection options; pivotable 360°; pre-assembled System arm can be attached lateral, transverse, or on the face of the profile; if attached on the front face, the core hole of the respective profile must be M8 threaded (min. 15 mm deep)
MATERIAL	Arm: Aluminum Housing: Aluminum die-cast Cover ring: Plastic Inserts: Steel Friction shaft: Steel Cover caps: Plastic Screws: Steel Washers: Steel Centering plates: Aluminum die-cast T-slot nuts: Steel Monitor mount: Plastic PA, glas fiber reinforced
SURFACE	Arm: Anodized Housing: Powder coated Screws: Zinc plated Washers: Zinc plated Centering plates: Powder coated T-slot nuts: Zinc plated
COLOR	Arm: Alu color Housing: Alu color Cover ring: Gray ≈ RAL 7042 Cover caps: Gray ≈ RAL 7042 Centering plates: Alu color Monitor mount: Black
MAX. LOAD	17 kg
SET 1	1 system arm I40L 370 with end friction joint 2 cover caps 2 screws DIN EN ISO 4762 (DIN 912) - M8 x 45 (for T-slot nut friction joint side), 2 screws DIN EN ISO 4762 (DIN 912) - M8 x 50 (for core hole friction joint side), 2 washers 8-FSt, 2 centering plates, 2 T-slot nuts - slot 8 - M8
SET 2	1 system arm I40L 370 with end friction joint 1 cover cap 1 screw DIN EN ISO 4762 (DIN 912) - M8 x 45 (for T-slot nut friction joint side), 1 screw DIN EN ISO 4762 (DIN 912) - M8 x 25 (for T-slot nut end side), 1 screw DIN EN ISO 4762 (DIN 912) - M8 x 50 (for core hole friction joint side), 1 screw DIN EN ISO 4762 (DIN 912) - M8 x 30 (for core hole end side), 2 washers 8-FSt, 2 centering plates, 2 T-slot nuts - slot 8 - M8
SET 3	1 system arm I40L 370 with double friction joint 2 cover caps 2 screws DIN EN ISO 4762 (DIN 912) - M8 x 45 (for T-slot nut friction joint side), 2 screws DIN EN ISO 4762 (DIN 912) - M8 x 50 (for core hole friction joint side), 2 washers 8-FSt, 2 centering plates, 2 T-slot nuts - slot 8 - M8
SET 4	1 system arm I40L 370 with monitor mount 1 cover cap 1 screw DIN EN ISO 4762 (DIN 912) - M8 x 45 (for T-slot nut friction joint side), 1 screw DIN EN ISO 4762 (DIN 912) - M8 x 50 (for core hole friction joint side), 1 washer 8-FSt, 1 centering plate, 1 T-slot nut - slot 8 - M8 1 assembly set for monitor: 4 screws DIN EN ISO 4762 (DIN 912) - M4 x 12, 4 washers
PACK QUANTITY	1 piece

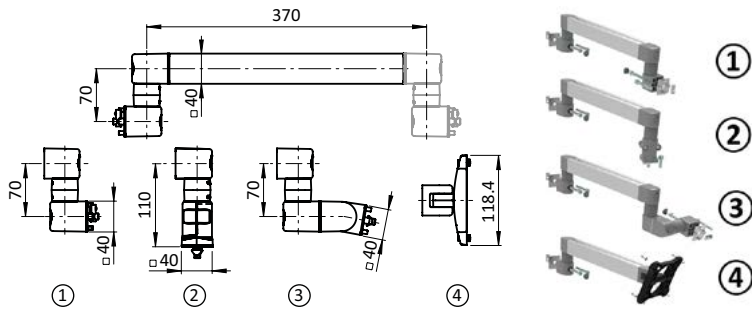


Fig.	Version	Set	Weight [g]	Profile	Part #
①	With Friction Joint	Set 1	1961.5	I	6FG40NL370S40N08
②	With End Friction Joint	Set 2	1986.0	I	6FA40NL370S40N08
③	With Double Friction Joint	Set 3	2820.5	I	6FDG40NL370S40N08
④	With Monitor Mount	Set 4	1446.0	I	6FMVNL370S40N08

SYSTEM ARM I40H 370 (SET)

MODEL	pre-assembled, profile 40 and up
DESCRIPTION	Stable pivot arm with a reach of approximately 370 mm and various connection options; pivotable 360°; pre-assembled System arm can be attached lateral, transverse, or on the face of the profile; if attached on the front face, the core hole of the respective profile must be M8 threaded (min. 15 mm deep)
MATERIAL	Arm: Aluminum Housing: Aluminum die-cast Cover ring: Plastic Inserts: Steel Friction shaft: Steel Cover caps: Plastic Screws: Steel Washers: Steel Centering plates: Aluminum die-cast T-slot nuts: Steel Monitor mount: Plastic PA, glas fiber reinforced
SURFACE	Arm: Anodized Housing: Powder coated Screws: Zinc plated Washers: Zinc plated Centering plates: Powder coated T-slot nuts: Zinc plated
COLOR	Arm: Alu color Housing: Alu color Cover ring: Gray ≈ RAL 7042 Cover caps: Gray ≈ RAL 7042 Centering plates: Alu color Monitor mount: Black
MAX. LOAD	17 kg
SET 1	1 system arm I40H 370 with friction joint 3 cover caps 3 screws DIN EN ISO 4762 (DIN 912) - M8 x 45 (for T-slot nut friction joint side), 3 screws DIN EN ISO 4762 (DIN 912) - M8 x 50 (for core hole friction joint side), 3 washers 8-FSt, 3 centering plates, 3 T-slot nuts - slot 8 - M8
SET 2	1 system arm I40H 370 with end friction joint 2 cover cap 2 screw DIN EN ISO 4762 (DIN 912) - M8 x 45 (for T-slot nut friction joint side), 1 screw DIN EN ISO 4762 (DIN 912) - M8 x 25 (for T-slot nut end side), 2 screw DIN EN ISO 4762 (DIN 912) - M8 x 50 (for core hole friction joint side), 1 screw DIN EN ISO 4762 (DIN 912) - M8 x 30 (for core hole end side), 3 washers 8-FSt, 3 centering plates, 3 T-slot nuts - slot 8 - M8
SET 3	1 system arm I40H 370 with double friction joint 3 cover caps 3 screws DIN EN ISO 4762 (DIN 912) - M8 x 45 (for T-slot nut friction joint side), 3 screws DIN EN ISO 4762 (DIN 912) - M8 x 50 (for core hole friction joint side), 3 washers 8-FSt, 3 centering plates, 3 T-slot nuts - slot 8 - M8
SET 4	1 system arm I40H 370 with monitor mount 2 cover cap 2 screw DIN EN ISO 4762 (DIN 912) - M8 x 45 (for T-slot nut friction joint side), 2 screw DIN EN ISO 4762 (DIN 912) - M8 x 50 (for core hole friction joint side), 2 washer 8-FSt, 2 centering plate, 2 T-slot nut - slot 8 - M8 1 assembly set for monitor: 4 screws DIN EN ISO 4762 (DIN 912) - M4 x 12, 4 washers
PACK QUANTITY	1 piece

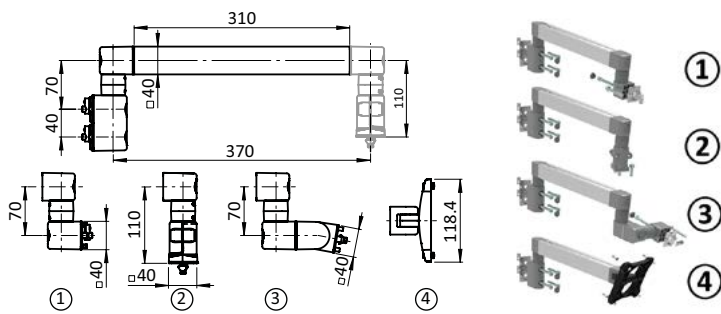


Fig.	Version	Set	Weight [g]	Profile	Part #
①	With Friction Joint	Set 1	2278.0	I	6FG40NH370S40N08
②	With End Friction Joint	Set 2	2253.5	I	6FA40NH370S40N08
③	With Double Friction Joint	Set 3	3112.5	I	6FDG40NH370S40N08
④	With Monitor Mount	Set 4	1738.0	I	6FMVNH370S40N08

SYSTEM ARM I80H 370 (SET)

MODEL	pre-assembled, profile 40 and up
DESCRIPTION	Stable pivot arm with a reach of approximately 370 mm and various connection options; pivotable 360°; pre-assembled System arm can be attached lateral, transverse, or on the face of the profile; if attached on the front face, the core hole of the respective profile must be M8 threaded (min. 15 mm deep)
MATERIAL	Arm: Aluminum Housing: Aluminum die-cast Cover ring: Plastic Inserts: Steel Friction shaft: Steel Cover caps: Plastic Screws: Steel Washers: Steel Centering plates: Aluminum die-cast T-slot nuts: Steel
SURFACE	Arm: Anodized Housing: Powder coated Screws: Zinc plated Washers: Zinc plated Centering plates: Powder coated T-slot nuts: Zinc plated
COLOR	Arm: Alu color Housing: Alu color Cover ring: Gray ≈ RAL 7042 Cover caps: Gray ≈ RAL 7042 Centering plates: Alu color
MAX. LOAD	17 kg
SET 1	1 system arm I80H 370 with friction joint 3 cover caps 3 screws DIN EN ISO 4762 (DIN 912) - M8 x 45 (for T-slot nut friction joint side), 3 screws DIN EN ISO 4762 (DIN 912) - M8 x 50 (for core hole friction joint side), 3 washers 8-FSt, 3 centering plates, 3 T-slot nuts - slot 8 - M8
SET 2	1 system arm I80H 370 with end friction joint 2 cover cap 2 screw DIN EN ISO 4762 (DIN 912) - M8 x 45 (for T-slot nut friction joint side), 1 screw DIN EN ISO 4762 (DIN 912) - M8 x 25 (for T-slot nut end side), 2 screw DIN EN ISO 4762 (DIN 912) - M8 x 50 (for core hole friction joint side), 1 screw DIN EN ISO 4762 (DIN 912) - M8 x 30 (for core hole end side), 3 washers 8-FSt, 3 centering plates, 3 T-slot nuts - slot 8 - M8
SET 3	1 system arm I80H 370 with double friction joint 3 cover caps 3 screws DIN EN ISO 4762 (DIN 912) - M8 x 45 (for T-slot nut friction joint side), 3 screws DIN EN ISO 4762 (DIN 912) - M8 x 50 (for core hole friction joint side), 3 washers 8-FSt, 3 centering plates, 3 T-slot nuts - slot 8 - M8
PACK QUANTITY	1 piece

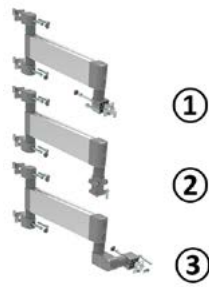
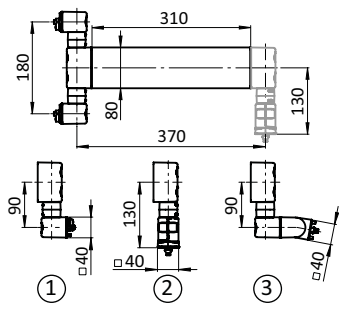


Fig.	Version	Set	Weight [g]	Profile	Part #
①	With Friction Joint	Set 1	3350.3	I	6FG80NH370S80N08
②	With End Friction Joint	Set 2	3325.8	I	6FA80NH370S80N08
③	With Double Friction Joint	Set 3	4184.8	I	6FDG80NH370S80N08

DOUBLE SYSTEM ARM I40L 695 (SET)

MODEL	pre-assembled, profile 40 and up
DESCRIPTION	Stable double pivot arm with a reach of approximately 695 mm and various connection options; pivotable 360°; pre-assembled System arm can be attached lateral, transverse, or on the face of the profile; if attached on the front face, the core hole of the respective profile must be M8 threaded (min. 15 mm deep)
MATERIAL	Arm: Aluminum Housing: Aluminum die-cast Cover ring: Plastic Inserts: Steel Friction shaft: Steel Cover caps: Plastic Screws: Steel Washers: Steel Centering plates: Aluminum die-cast T-slot nuts: Steel Monitor mount: Plastic PA, glas fiber reinforced
SURFACE	Arm: Anodized Housing: Powder coated Screws: Zinc plated Washers: Zinc plated Centering plates: Powder coated T-slot nuts: Zinc plated
COLOR	Arm: Alu color Housing: Alu color Cover ring: Gray ≈ RAL 7042 Cover caps: Gray ≈ RAL 7042 Centering plates: Alu color Monitor mount: Black
MAX. LOAD	12 kg
SET 1	1 double system arm I40L 695 with friction joint 3 cover caps 3 screws DIN EN ISO 4762 (DIN 912) - M8 x 45 (for T-slot nut friction joint side), 3 screws DIN EN ISO 4762 (DIN 912) - M8 x 50 (for core hole friction joint side), 3 washers 8-FSt, 3 centering plates, 3 T-slot nuts - slot 8 - M8
SET 2	1 double system arm I40L 695 with end friction joint 2 cover cap 2 screw DIN EN ISO 4762 (DIN 912) - M8 x 45 (for T-slot nut friction joint side), 1 screw DIN EN ISO 4762 (DIN 912) - M8 x 25 (for T-slot nut end side), 2 screw DIN EN ISO 4762 (DIN 912) - M8 x 50 (for core hole friction joint side), 1 screw DIN EN ISO 4762 (DIN 912) - M8 x 30 (for core hole end side), 3 washers 8-FSt, 3 centering plates, 3 T-slot nuts - slot 8 - M8
SET 3	1 double system arm I40L 695 with double friction joint 3 cover caps 3 screws DIN EN ISO 4762 (DIN 912) - M8 x 45 (for T-slot nut friction joint side), 3 screws DIN EN ISO 4762 (DIN 912) - M8 x 50 (for core hole friction joint side), 3 washers 8-FSt, 3 centering plates, 3 T-slot nuts - slot 8 - M8
SET 4	1 double system arm I40L 695 with monitor mount 2 cover caps 2 screws DIN EN ISO 4762 (DIN 912) - M8 x 45 (for T-slot nut friction joint side), 2 screws DIN EN ISO 4762 (DIN 912) - M8 x 50 (for core hole friction joint side), 2 washers 8-FSt, 2 centering plates, 2 T-slot nuts - slot 8 - M8 1 assembly set for monitor: 4 cylinder head screws M4 x 12, 4 washers
PACK QUANTITY	1 piece

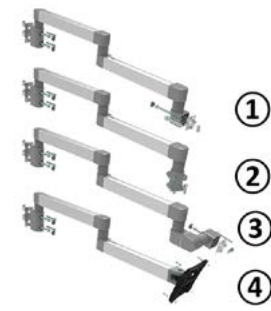
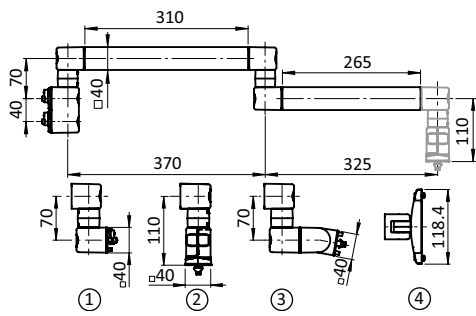


Fig.	Version	Set	Weight [g]	Profile	Part #
①	With Friction Joint	Set 1	3419.2	I	6FG40ND40L695N08
②	With End Friction Joint	Set 2	3394.8	I	6FA40ND40L695N08
③	With Double Friction Joint	Set 3	4253.7	I	6FDG40ND40L695N08
④	With Monitor Mount	Set 4	2879.2	I	6FMVND40L695N08

DOUBLE SYSTEM ARM I40H 695 (SET)

MODEL	pre-assembled, profile 40 and up
DESCRIPTION	Stable double pivot arm with a reach of approximately 695 mm and various connection options; pivotable 360°; pre-assembled System arm can be attached lateral, transverse, or on the face of the profile; if attached on the front face, the core hole of the respective profile must be M8 threaded (min. 15 mm deep)
MATERIAL	Arm: Aluminum Housing: Aluminum die-cast Cover ring: Plastic Inserts: Steel Friction shaft: Steel Cover caps: Plastic Screws: Steel Washers: Steel Centering plates: Aluminum die-cast T-slot nuts: Steel Monitor mount: Plastic PA, glas fiber reinforced
SURFACE	Arm: Anodized Housing: Powder coated Screws: Zinc plated Washers: Zinc plated Centering plates: Powder coated T-slot nuts: Zinc plated
COLOR	Arm: Alu color Housing: Alu color Cover ring: Gray ≈ RAL 7042 Cover caps: Gray ≈ RAL 7042 Centering plates: Alu color Monitor mount: Black
MAX. LOAD	12 kg
SET 1	1 double system arm I40H 695 with friction joint 3 cover caps 3 screws DIN EN ISO 4762 (DIN 912) - M8 x 45 (for T-slot nut friction joint side), 3 screws DIN EN ISO 4762 (DIN 912) - M8 x 50 (for core hole friction joint side), 3 washers 8-FSt, 3 centering plates, 3 T-slot nuts - slot 8 - M8
SET 2	1 double system arm I40H 695 with end friction joint 2 cover cap 2 screw DIN EN ISO 4762 (DIN 912) - M8 x 45 (for T-slot nut friction joint side), 1 screw DIN EN ISO 4762 (DIN 912) - M8 x 25 (for T-slot nut end side), 2 screw DIN EN ISO 4762 (DIN 912) - M8 x 50 (for core hole friction joint side), 1 screw DIN EN ISO 4762 (DIN 912) - M8 x 30 (for core hole end side), 3 washers 8-FSt, 3 centering plates, 3 T-slot nuts - slot 8 - M8
SET 3	1 double system arm I40H 695 with double friction joint 3 cover caps 3 screws DIN EN ISO 4762 (DIN 912) - M8 x 45 (for T-slot nut friction joint side), 3 screws DIN EN ISO 4762 (DIN 912) - M8 x 50 (for core hole friction joint side), 3 washers 8-FSt, 3 centering plates, 3 T-slot nuts - slot 8 - M8
SET 4	1 double system arm I40H 695 with monitor mount 2 cover caps 2 screws DIN EN ISO 4762 (DIN 912) - M8 x 45 (for T-slot nut friction joint side), 2 screws DIN EN ISO 4762 (DIN 912) - M8 x 50 (for core hole friction joint side), 2 washers 8-FSt, 2 centering plates, 2 T-slot nuts - slot 8 - M8 1 assembly set for monitor: 4 cylinder head screws M4 x 12, 4 washers
PACK QUANTITY	1 piece

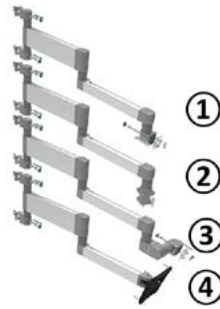
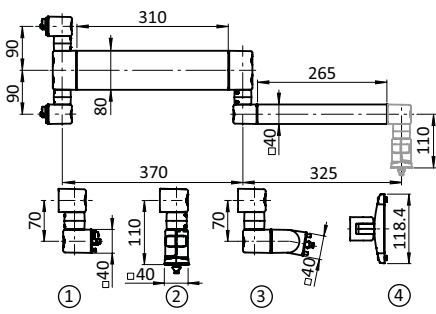


Fig.	Version	Set	Weight [g]	Profile	Part #
①	With Friction Joint	Set 1	4491.5	I	6FG40ND80M695N08
②	With End Friction Joint	Set 2	4467.1	I	6FA40ND80M695N08
③	With Double Friction Joint	Set 3	5326.0	I	6FDG40ND80M695N08
④	With Monitor Mount	Set 4	3951.5	I	6FMVND80M695N08

DOUBLE SYSTEM ARM I80H 695 (SET)

MODEL	pre-assembled, profile 40 and up
DESCRIPTION	Stable double pivot arm with a reach of approximately 695 mm and various connection options; pivotable 360°; pre-assembled System arm can be attached lateral, transverse, or on the face of the profile; if attached on the front face, the core hole of the respective profile must be M8 threaded (min. 15 mm deep)
MATERIAL	Arm: Aluminum Housing: Aluminum die-cast Cover ring: Plastic Inserts: Steel Friction shaft: Steel Cover caps: Plastic Screws: Steel Washers: Steel Centering plates: Aluminum die-cast T-slot nuts: Steel
SURFACE	Arm: Anodized Housing: Powder coated Screws: Zinc plated Washers: Zinc plated Centering plates: Powder coated T-slot nuts: Zinc plated
COLOR	Arm: Alu color Housing: Alu color Cover ring: Gray ≈ RAL 7042 Cover caps: Gray ≈ RAL 7042 Centering plates: Alu color
MAX. LOAD	18 kg
SET 1	1 double system arm I80H 695 with friction joint 3 cover caps 3 screws DIN EN ISO 4762 (DIN 912) - M8 x 45 (for T-slot nut friction joint side), 3 screws DIN EN ISO 4762 (DIN 912) - M8 x 50 (for core hole friction joint side), 3 washers 8-FSt, 3 centering plates, 3 T-slot nuts - slot 8 - M8
SET 2	1 double system arm I80H 695 with end friction joint 2 cover cap 2 screw DIN EN ISO 4762 (DIN 912) - M8 x 45 (for T-slot nut friction joint side), 1 screw DIN EN ISO 4762 (DIN 912) - M8 x 25 (for T-slot nut end side), 2 screw DIN EN ISO 4762 (DIN 912) - M8 x 50 (for core hole friction joint side), 1 screw DIN EN ISO 4762 (DIN 912) - M8 x 30 (for core hole end side), 3 washers 8-FSt, 3 centering plates, 3 T-slot nuts - slot 8 - M8
SET 3	1 double system arm I40H 695 with double friction joint 3 cover caps 3 screws DIN EN ISO 4762 (DIN 912) - M8 x 45 (for T-slot nut friction joint side), 3 screws DIN EN ISO 4762 (DIN 912) - M8 x 50 (for core hole friction joint side), 3 washers 8-FSt, 3 centering plates, 3 T-slot nuts - slot 8 - M8
PACK QUANTITY	1 piece

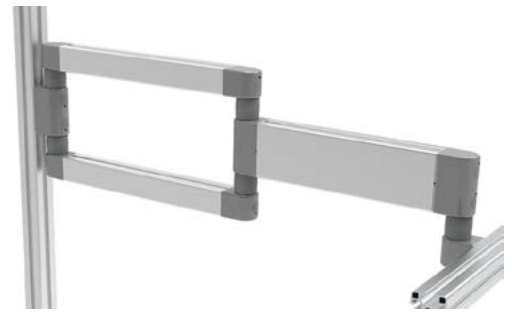
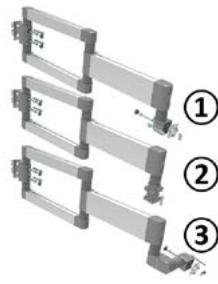
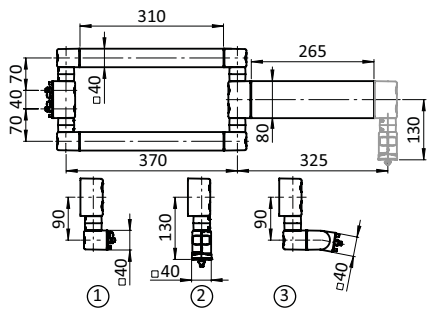


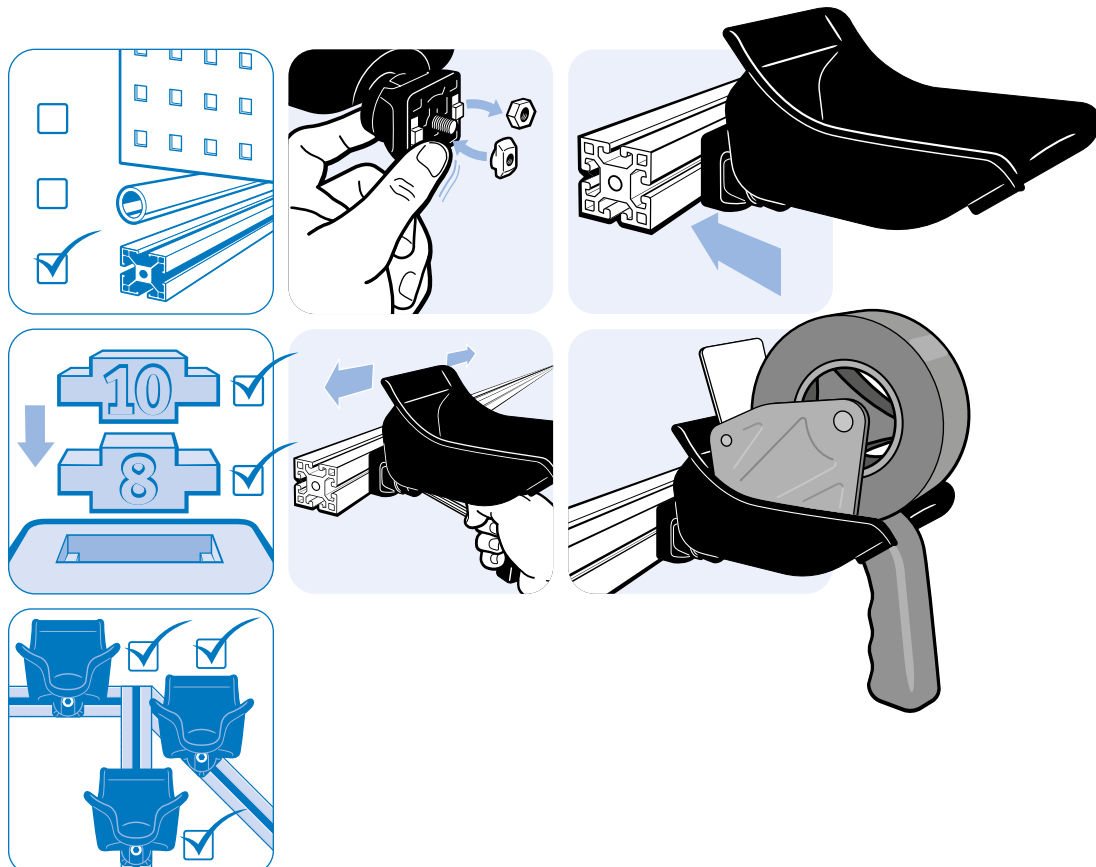
Fig.	Version	Set	Weight [g]	Profile	Part #
①	With Friction Joint	Set 1	5665.3	I	6FG40ND80H695N08
②	With End Friction Joint	Set 2	5641.0	I	6FA40ND80H695N08
③	With Double Friction Joint	Set 3	6500.0	I	6FDG40ND80H695N08

PACKING TAPE HAND DISPENSER HOLDER FX FOR PROFILE 40 / 45, SLOT 8 / 10

MODEL	pre-assembled, profile 40 and up
DESCRIPTION	Ready to use tool Holder for Packing Tape Hand Dispenser, 360° turnable, for aluminum profiles; To organize workstations
MATERIAL	Holder: Plastic PA, glass ball reinforced Spring: Spring steel SS313 Screw: Steel Nut: Steel Centering piece: Plastic PA, glass fibre reinforced
SURFACE	Screw: Zinc plated Nut: Zinc plated
COLOR	Holder: See table Centering piece: Black
PACK QUANTITY	1 piece
SPECIALS	Other colors on request
TIP	For round tubes D28 / D30 see 6TD283PT91

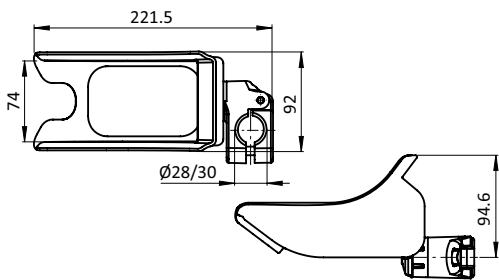


Color	Weight [g]	Part #
Black	183.1	6TM840NPT91
Gray ≈ RAL 7042	183.1	6TM840NPT74

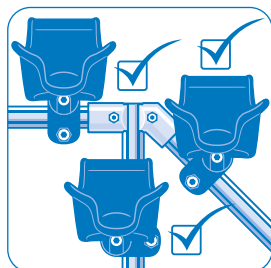
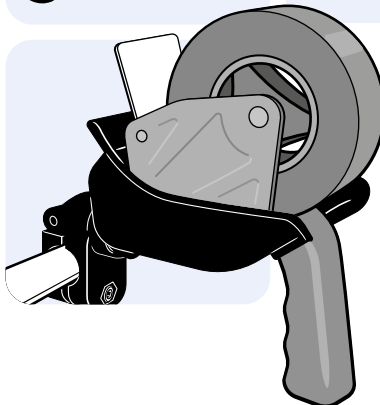
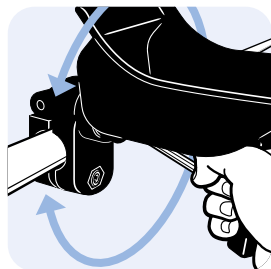
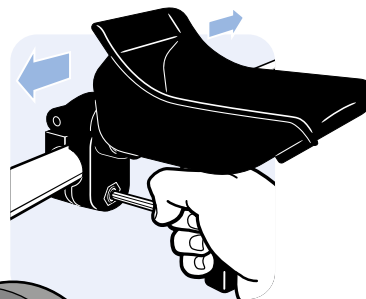
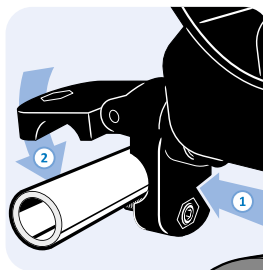
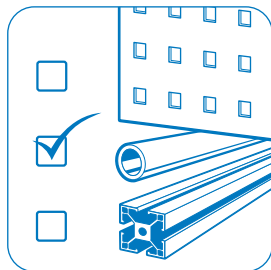


PACKING TAPE HAND DISPENSER HOLDER FX FOR TUBES D28 / D30

MODEL	Pre-assembled
DESCRIPTION	Ready to use tool Holder for Packing Tape Hand Dispenser, 360° turnable, for aluminum profiles; To organize workstations
MATERIAL	Holder: Plastic PA, glass ball reinforced Wire: Stainless steel SS304 Spring: Spring steel SS313 Screw: Steel Nut: Steel
SURFACE	Screw: Zinc plated Nut: Zinc plated
COLOR	Holder: See table
PACK QUANTITY	1 piece
SPECIALS	Other colors on request

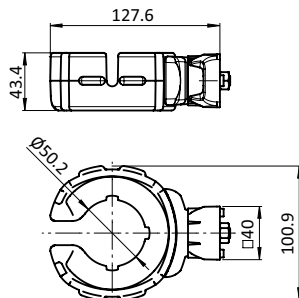


	Color	Weight [g]	Part #
	Black	250.8	6TD283PT91
	Gray ≈ RAL 7042	250.8	6TD283PT74

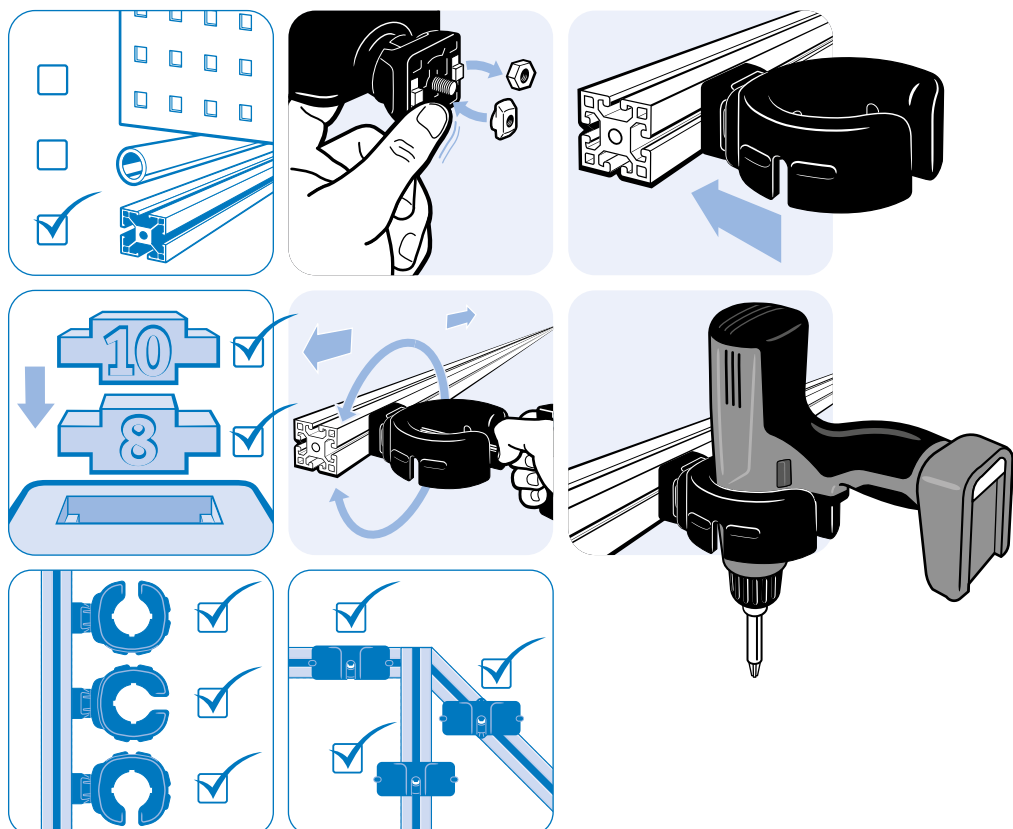


DRILL / DRIVER HOLDER FX D50 FOR PROFILE 40 / 45, SLOT 8 / 10

MODEL	pre-assembled, profile 40 and up
DESCRIPTION	Ready to use tool Drill / Driver Holder FX for a wide range of standard cordless screwdrivers, 360° turnable, for aluminum profiles; To organize workstations
MATERIAL	Holder: Plastic PA, glass ball reinforced Spring: Spring steel SS313 Screw: Steel Nut: Steel Centering piece: Plastic PA, glass fibre reinforced
SURFACE	Screw: Zinc plated Nut: Zinc plated
COLOR	Holder: See table Centering piece: Black
PACK QUANTITY	1 piece
SPECIALS	Other colors on request



Color	Weight [g]	Part #
Black	174.4	6TM840NL12591S01
Gray ≈ RAL 7042	174.4	6TM840NL12574S01



BEARING UNITS

FATH Bearing Units: Easily design slide units and sliding doors yourself

- Individual design of slide units and sliding doors
- Centric and eccentric versions available
- Can be used offset by 180° for maximum flexibility
- Rugged construction

HIGHLIGHTS

With **FATH** Bearing Units for C-rail profiles, you can easily design slide units and sliding doors for an industrial environment. The different versions are equipped with hardened rollers inside in different materials and versions and offer you a high degree of flexibility for the construction of individual applications according to need and customer requirements.

For the construction of guide carriages, the **FATH** Bearing Unit is combined with a suitable carriage plate. Centric and eccentric bearing units with different bolt geometries are available. As the eccentric bolts can also be adjusted afterward, you can build a guide unit free of play. The ideal result is achieved when two centric and two eccentric bearing units are installed.

In order to permanently ensure lubrication of guide rails and bearing units, **FATH** has a suitable stripping and lubrication system that protects against premature wear.

INDIVIDUAL CONSTRUCTIONS

Countless applications can be implemented

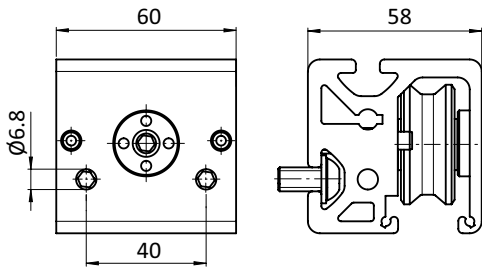
Slide unit or suspension for sliding doors: The application possibilities are virtually unlimited. Since the **FATH** Bearing Units can also be installed offset by 90°, a 3D printer, for example, can be moved vertically and horizontally by attaching the appropriate slide units.

Sliding doors for a wide range of functions in production and assembly can be precisely constructed – whether simple construction for closing small areas or as part of a complex enclosure with practical access. The sliding doors are guided by mounting the **FATH** Bearing Units on a C-rail system and D14 shafts. For large structures, the guideway can be supported by rollers on the lower side if required.



Reduce wear and tear

To minimize wear and tear, **FATH** Bearing Units are equipped with a lubrication device. The cap is equipped with a felt lining, which in addition protects the lubrication unit against leakage. For lubrication, the lubricating oil is simply poured into the opening.



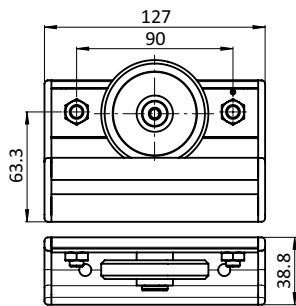
Get to know it better now!

bearing-unit.fath24.com



BEARING UNIT PA 1 ROLLER FOR C-RAIL-PROFILE I SLOT Ø 14

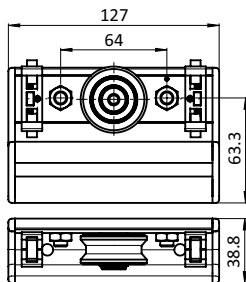
MODEL	Pre-assembled, plastic PA
DESCRIPTION	To build sliding doors To linearly guide small loads, plastic roller with slide bearings runs directly on the aluminum of the slot with Ø 14 mm
MATERIAL	Roller: Plastic PA Carrier plate: Steel Screws: Steel Threaded sleeve: Steel Press nuts: Steel Tension pin: Steel Profile: Aluminum Cover caps: Plastic PA, glass fibre reinforced
SURFACE	Carrier plate: Zinc plated Screws: Zinc plated Threaded sleeve: Zinc plated Press nuts: Zinc plated Profile: Anodized
COLOR	Roller: Black Cover caps: Black
PACK QUANTITY	1 piece



Weight [g]	Profile	Part #
491.7	I	093CAU081A128S01

BEARING UNIT 1 ROLLER SHAFT Ø 14 FOR C-RAIL-PROFILE I

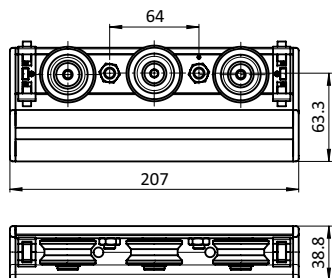
MODEL	Pre-assembled, steel
DESCRIPTION	To build sliding doors To linearly guide loads, steel roller with ball bearings runs directly on shaft Ø 14 mm
MATERIAL	Roller: Steel Carrier plate: Steel Screws: Steel Threaded sleeve: Steel Press nuts: Steel Tension pin: Steel Wiper and lubricators: Plastic PA / felt / spring steel Wood screws: Steel Profile: Aluminum Cover caps: Plastic PA, glass fibre reinforced
SURFACE	Roller: Zinc plated Carrier plate: Zinc plated Screws: Zinc plated Threaded sleeve: Zinc plated Press nuts: Zinc plated Tension pin: Zinc plated Wood screws: Zinc plated Profile: Anodized
COLOR	Wiper and lubricators: Black Cover caps: Black
PACK QUANTITY	1 piece



Weight [g]	Profile	Part #
475.5	I	093CIUD141SA128S01

BEARING UNIT 3 ROLLERS SHAFT Ø 14 FOR C-RAIL-PROFILE I

MODEL	Pre-assembled, steel
DESCRIPTION	To build sliding doors To linearly guide loads, steel roller with ball bearings runs directly on shaft Ø 14 mm To tighten the eccentric screw, a pin spanner is needed for the four holes of the adjusting washer
MATERIAL	Rollers: Steel Carrier plate: Steel Screws: Steel Threaded sleeves: Steel Press nuts: Steel Excentric screw: Steel Adjusting washer: Steel Tension pin: Steel Wiper and lubricators: Plastic PA / felt / spring steel Wood screws: Steel Profile: Aluminum Cover caps: Plastic PA, glass fibre reinforced
SURFACE	Rollers: Zinc plated Carrier plate: Zinc plated Screws: Zinc plated Threaded sleeves: Zinc plated Press nuts: Zinc plated Excentric screw: Zinc plated Adjusting washer: Zinc plated Tension pin: Zinc plated Wood screws: Zinc plated Profile: Anodized
COLOR	Wiper and lubricators: Black Cover caps: Black
PACK QUANTITY	1 piece

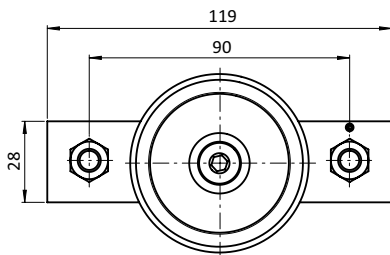


2

Weight [g]	Profile	Part #
801.0	I	093CIUD141SA208S01

BEARING KIT PA 1 ROLLER SLOT Ø 14 FOR C-SLIDE PROFILE I (SET)

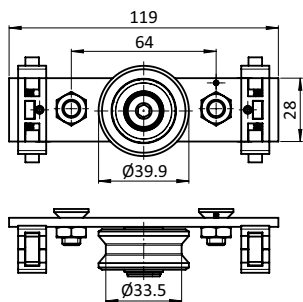
MODEL	Pre-assembled, plastic PA
DESCRIPTION	For the construction of bearing units, assembly with machining to C-slide profile I To linearly guide small loads, plastic roller with slide bearings runs directly on the aluminum of the slot with Ø 14 mm
MATERIAL	Roller: Plastic PA Carrier plate: Steel Screws: Steel Threaded sleeve: Steel Press nuts: Steel Tension pin: Steel
SURFACE	Carrier plate: Zinc plated Screws: Zinc plated Threaded sleeve: Zinc plated Press nuts: Zinc plated
COLOR	Roller: Black
SET	1 roller 1 carrier plate 3 screws DIN EN ISO 10642 (DIN 7991) - M8 x 16 1 threaded sleeve - M8 2 press nuts - M8 1 tension pin
PACK QUANTITY	1 set
TIP	Compatible Cover Cap for C-slide Profile I (Set) see 091401S01 Ready Bearing Unit PA 1 Roller for C-Rail-Profile I Slot Ø 14 see 093CAU081A128S01



Weight [g]	Profile	Part #
171.7	I	093CA081119S01

BEARING KIT 1 ROLLER SHAFT Ø 14 FOR C-SLIDE PROFILE I (SET)

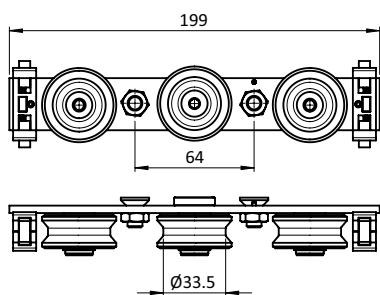
MODEL	Pre-assembled, steel
DESCRIPTION	For the construction of bearing units, assembly with machining to C-slide profile I To linearly guide loads, steel roller with ball bearings runs directly on shaft Ø 14 mm
MATERIAL	Roller: Steel Carrier plate: Steel Screws: Steel Threaded sleeve: Steel Press nuts: Steel Tension pin: Steel Wiper and lubricators: Plastic PA / felt / spring steel Wood screws: Steel
SURFACE	Roller: Zinc plated Carrier plate: Zinc plated Screws: Zinc plated Threaded sleeve: Zinc plated Press nuts: Zinc plated Tension pin: Zinc plated Wood screws: Zinc plated
COLOR	Wiper and lubricators: Black
SET	1 roller 1 carrier plate 3 screws DIN EN ISO 10642 (DIN 7991) - M8 x 16 1 threaded sleeve - M8 2 press nuts - M8 1 tension pin 2 wiper and lubricators 2 wood screws - 3.5 x 20
PACK QUANTITY	1 set
TIP	Compatible Cover Cap for C-slide Profile I (Set) see 091401S01 Ready Bearing Unit 1 Roller Shaft Ø 14 for C-Rail-Profile I see 093CIUD141SA128S01



Weight [g]	Profile	Part #
155.6	I	093CID14S119S01

BEARING KIT 3 ROLLERS SHAFT Ø 14 FOR C-SLIDE PROFILE I (SET)

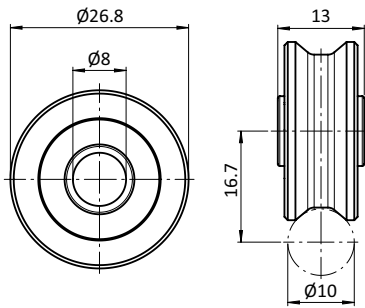
MODEL	Pre-assembled, steel
DESCRIPTION	For the construction of bearing units, assembly with machining to C-slide profile I To linearly guide loads, steel rollers with ball bearings runs directly on shaft Ø 14 mm To tighten the eccentric screw, a pin spanner is needed for the four holes of the adjusting washer
MATERIAL	Rollers: Steel Carrier plate: Steel Screws: Steel Threaded sleeves: Steel Press nuts: Steel Excentric screw: Steel Adjusting washer: Steel Tension pin: Steel Wiper and lubricators: Plastic PA / felt / spring steel Wood screws: Steel
SURFACE	Rollers: Zinc plated Carrier plate: Zinc plated Screws: Zinc plated Threaded sleeves: Zinc plated Press nuts: Zinc plated Excentric screw: Zinc plated Adjusting washer: Zinc plated Tension pin: Zinc plated Wood screws: Zinc plated
COLOR	Wiper and lubricators: Black
SET	3 rollers 1 carrier plate 3 screws DIN EN ISO 10642 (DIN 7991) - M8 x 16 2 threaded sleeve - M8 2 press nuts - M8 1 excentric screw M8 1 adjusting washer - M8 1 tension pin 2 wiper and lubricators 2 wood screws - 3.5 x 20
PACK QUANTITY	1 set
TIP	Compatible Cover Cap for C-slide Profile I [Set] see 091401S01 Ready Bearing Unit 3 Rollers Shaft Ø 14 for C-Rail-Profile I see 093CIUD141SA208S01



Weight [g]	Profile	Part #
274.2	I	093CID14S199S01

ROLLER FOR SHAFTS Ø 10

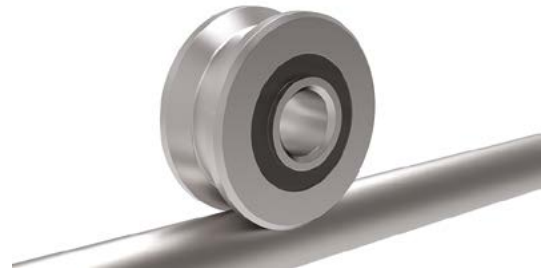
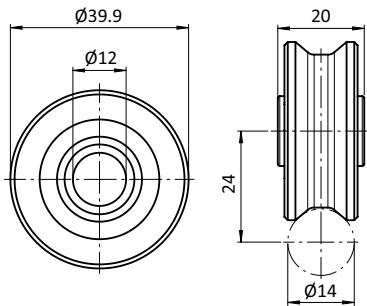
MODEL	Steel
DESCRIPTION	To guide moving parts on a sanded shaft Ø 10 With ball bearing To build individual bearing units
MATERIAL	Steel
SURFACE	Sanded
PACK QUANTITY	1 piece



Weight [g]	Part #
37.3	340ME575

ROLLER FOR SHAFTS Ø 14

MODEL	Steel / stainless steel
DESCRIPTION	To guide moving parts on a sanded shaft Ø 14 With ball bearing To build individual bearing units
MATERIAL	Steel / stainless steel
SURFACE	Sanded
PACK QUANTITY	1 piece



Version	Material	Weight [g]	Part #
Cover Disks Steel	Steel	132.0	340ME566
Sealing Washers Rubber	Steel	132.0	340ME567
Cover Disks Stainless Steel	Stainless steel	132.0	340ME571

BEARING UNIT 1 ROLLER ECCENTRIC SHAFT Ø 14

MODEL	Pre-assembled, steel
DESCRIPTION	To build sliding carriages To linearly guide loads, steel roller with ball bearings runs directly on shaft Ø 14 mm Completely pre-assembled from roller profile I slot 8 To tighten the eccentric screw, a pin spanner is needed for the four holes of the adjusting washer
MATERIAL	Roller: Steel Screws: Steel Excentric screw: Steel Adjusting washer: Steel Washers: Steel Tension pins: Steel Profile: Aluminum
SURFACE	Roller: Zinc plated Screws: Zinc plated Excentric screw: Zinc plated Adjusting washer: Zinc plated Washers: Zinc plated Tension pins: Zinc plated Profile: Anodized
PACK QUANTITY	1 piece
TIP	Compatible Wiper and Lubricator Ø 14 for Roller Profile I Slot 8 (Set) see 091381S01



Weight [g]	Profile	Part #
450.2	I	093CIUD141060S01

BEARING UNIT 1 ROLLER CENTRIC SHAFT Ø 14

MODEL	Pre-assembled, steel
DESCRIPTION	To build sliding carriages To linearly guide loads, steel roller with ball bearings runs directly on shaft Ø 14 mm Completely pre-assembled from roller profile I slot 8
MATERIAL	Roller: Steel Screws: Steel Washers: Steel Tension pins: Steel Profile: Aluminum
SURFACE	Roller: Zinc plated Screws: Zinc plated Washers: Zinc plated Tension pins: Zinc plated Profile: Anodized
PACK QUANTITY	1 piece
TIP	Compatible Wiper and Lubricator Ø 14 for Roller Profile I Slot 8 (Set) see 091381S01



Weight [g]	Profile	Part #
450.5	I	093CIUD141060S02

WIPER AND LUBRICATOR Ø 14 FOR ROLLER PROFILE I SLOT 8 (SET)

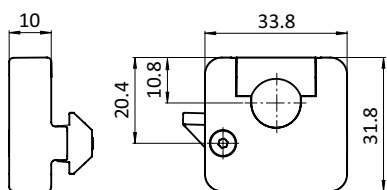
MODEL	Plastic PA
DESCRIPTION	Lubrication system for roller profile I to simplify maintenance of bearing units; Lubrication and wiping of particles while in use; Lubricating felt is delivered oil soaked
MATERIAL	Housing: Plastic PA, glas fibre reinforced Lubricating felt: Felt Spring: Steel Screw: Steel
SURFACE	Spring: Zinc plated Screw: Zinc plated
COLOR	Housing: Black
PACK QUANTITY	1 set
TIP	Semi-annual oil refill recommended



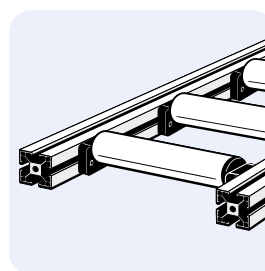
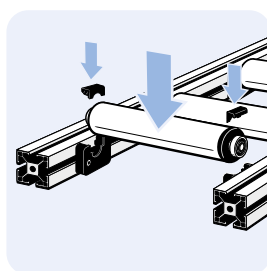
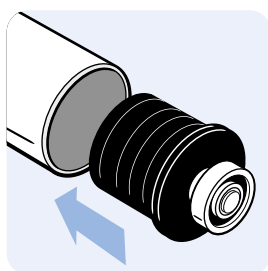
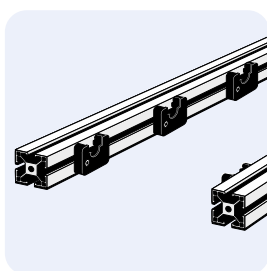
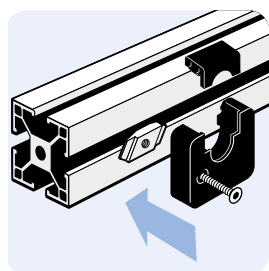
	Weight [g]	Profile	Part #
	57.8	I	091381S01

BEARING BLOCK FOR SUPPORT ROLLER I D32 (SET)

MODEL	Plastic PA
DESCRIPTION	To engage the bearings of a support roller I D32, mounting sideways in the slot 8 of the aluminum profile
MATERIAL	Housing: Plastic PA, glass fiber reinforced Screw: Steel Rhombus nut: Zinc die-cast
SURFACE	Screw: Zinc plated Rhombus nut: Zinc plated
COLOR	Housing: Black
SET	2 Bearing blocks
PACK QUANTITY	1 set
TIP	Compatible Bearing for Support Roller I D32 see 062CIL11K



Slot	Weight [g]	Profile	Part #
8	30.0	I	062CIAK



BALL INSERT D24

MODEL	For roller tracks AL
DESCRIPTION	Low-wear, low friction ball caster for flexible movements in two directions, for example at track switches and material locks; for roller tracks AL, can also be used in panels, e.g. on table tops; version with attachment clip prevents rotation of the ball housing
MATERIAL	Ball: Chrome Steel Ball housing: Steel#b Housing Attachment Clip: Steel
SURFACE	Ball: Plain Ball housing: Chrome plated Housing Attachment Clip: Zinc plated
PACK QUANTITY	10 pieces
SPECIALS	Other materials, other surfaces on request
TIP	Compatible Cage for Ball / Bush Insert D24 see 062ACD2491ESD.50;

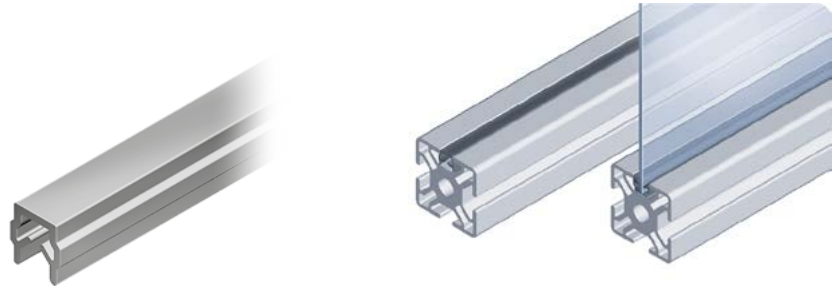
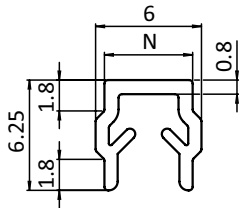


Fig.

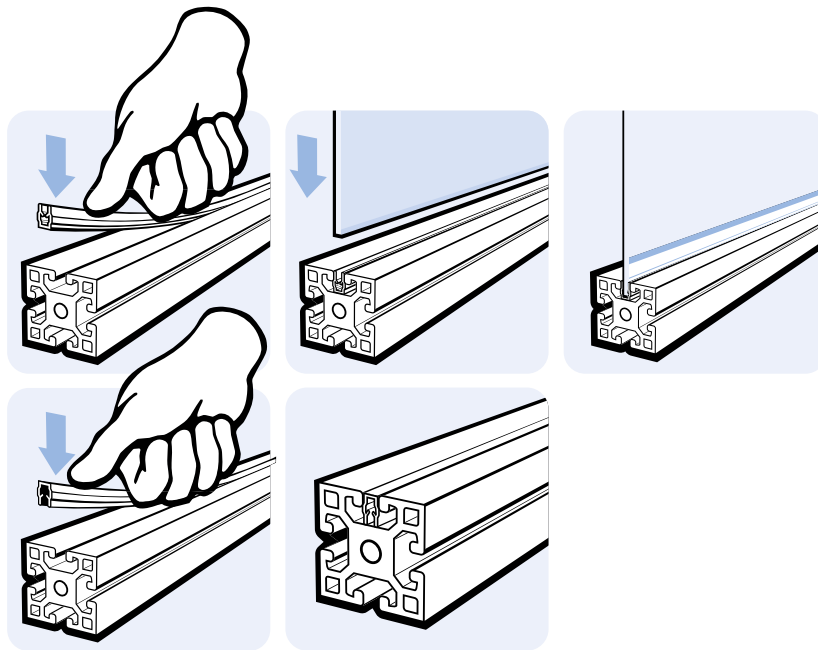
Version	ESD	Max. Load [N]	Weight [g]	Part #
② With Housing Attachment Clip	ESD		43.0	062AQS01

COVER AND REDUCTION PROFILE | SLOT 5

MODEL	Plastic PP, slot 5
DESCRIPTION	To cover size 5 profile slots and to secure panels with a thickness of 2 - 3 mm
MATERIAL	Plastic PP
COLOR	Black, gray, natural
PACK QUANTITY	200 meters (100 pieces at 2 m)
SPECIALS	Other colors on request
TIP	Please note: You are ordering in meters!

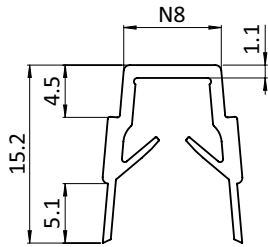


Color	N	Weight [g/m]	Profile	Part #
Gray ≈ RAL 7042	5	26.0	I	092045S07

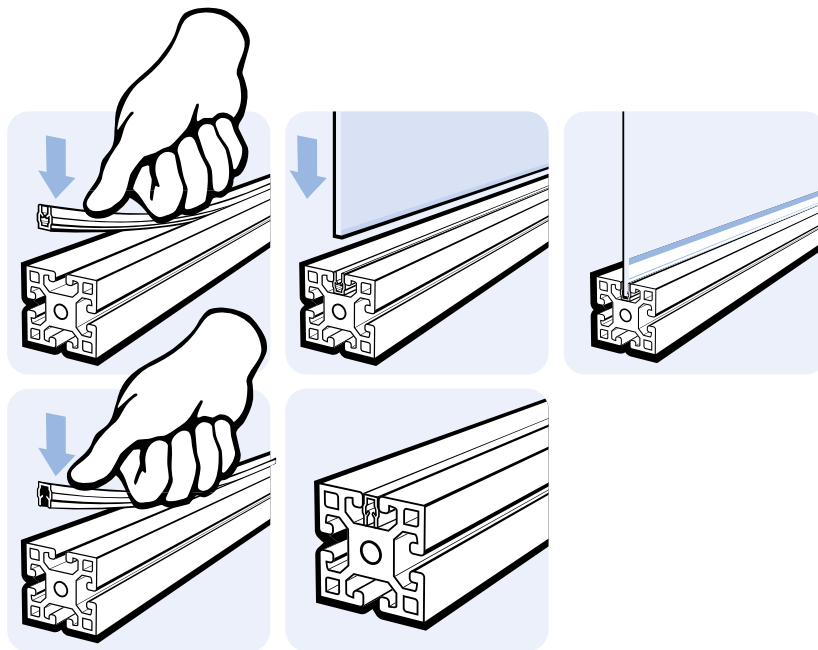


COVER AND REDUCTION PROFILE M45 SLOT 8

MODEL	Plastic PP, slot 8
DESCRIPTION	To cover size 8 profile slots and to secure panels with a thickness of 4 - 6 mm
MATERIAL	Plastic PP
COLOR	Black, gray
PACK QUANTITY	200 meters (100 pieces at 2 m)
SPECIALS	Other colors on request
TIP	Please note: You are ordering in meters!

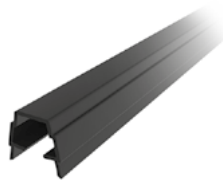
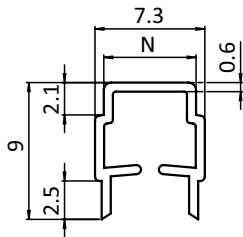


Color	Slot	Weight [g/m]	Part #
Black	8	56.0	092280
Gray ≈ RAL 7035	8	56.0	092280S01
Gray ≈ RAL 7042	8	56.0	092280S02

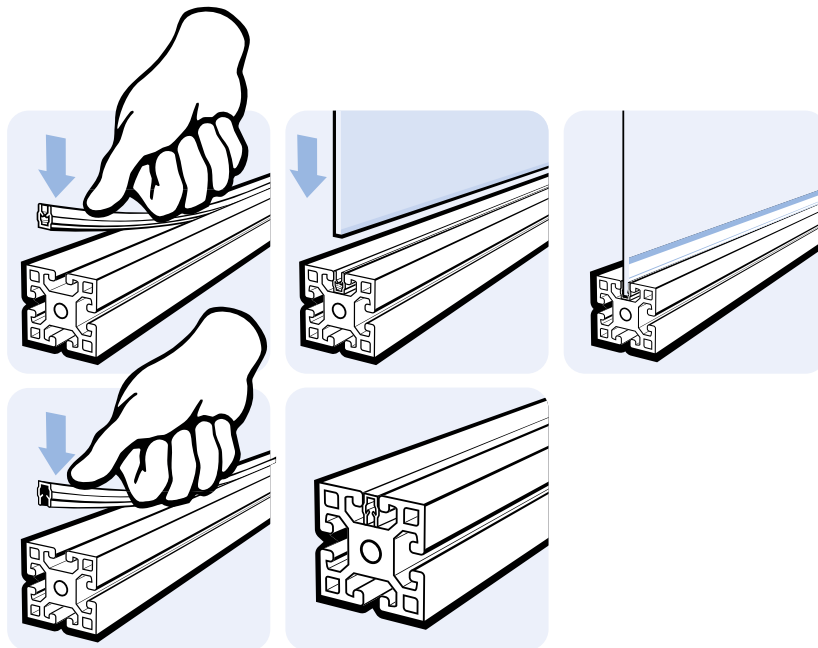


COVER AND REDUCTION PROFILE | SLOT 6

MODEL	Plastic PP, slot 6
DESCRIPTION	To cover size 6 profile slots and to secure panels with a thickness of 2 - 3.5 mm
MATERIAL	Plastic PP
COLOR	Black, gray, natural
PACK QUANTITY	200 meters (100 pieces at 2 m)
SPECIALS	Other colors on request
TIP	Please note: You are ordering in meters!



Color	N	Weight [g/m]	Profile	Part #
Gray ~ RAL 7042	6	26.0	I	092033S05



SIDE PROTECTION PROFILE 40, SLOT 8

MODEL	Plastic TPE
DESCRIPTION	To prevent damages and injuries, impact protection by hollow chamber profile on aluminum profiles
MATERIAL	Plastic TPE, ≈ 70 Shore A
COLOR	Black, gray
PACK QUANTITY	40 meters (20 pieces at 2 m)
TIP	Compatible Cover Cap for Side and Corner Protection Profile 40 see 091385S01 Compatible Corner Protection Profile 40, slot 8 see 092325S01
TIP 2	Please note: You are ordering in meters!

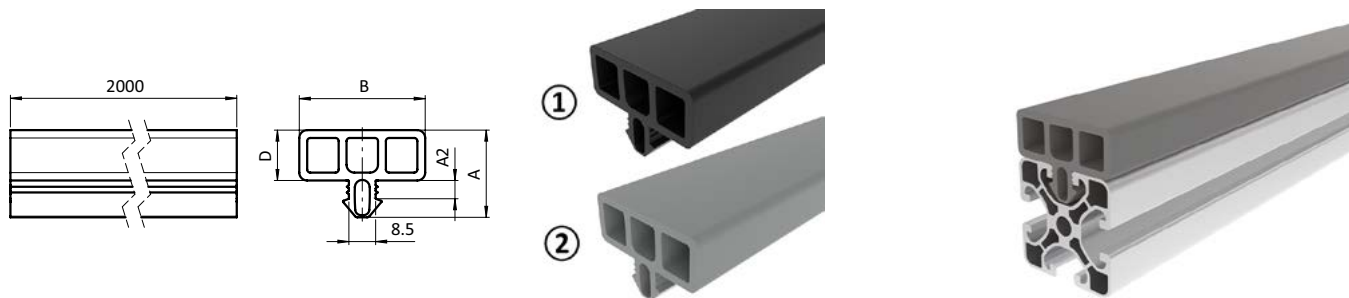


Fig.	Color	A [mm]	D [mm]	B [mm]	Slot	A2 (Profile) [mm]	Weight [g/m]	Profile	Part #
①	Black	28.0	16.0	40.0	8	5.7 (4.5)	590.5	I	092324S01

CORNER PROTECTION PROFILE 40, SLOT 8

MODEL	Plastic TPE
DESCRIPTION	To prevent damages and injuries - also on the outer edge, impact protection by hollow chamber profile on aluminum profiles
MATERIAL	Plastic TPE, ≈ 70 Shore A
COLOR	Black, gray
PACK QUANTITY	40 meters (20 pieces at 2 m)
TIP	Compatible Cover Cap for Side and Corner Protection Profile 40 see 091385 and 091386 Compatible Side Protection Profile 40, Slot 8 see 092324S01
TIP 2	Please note: You are ordering in meters!

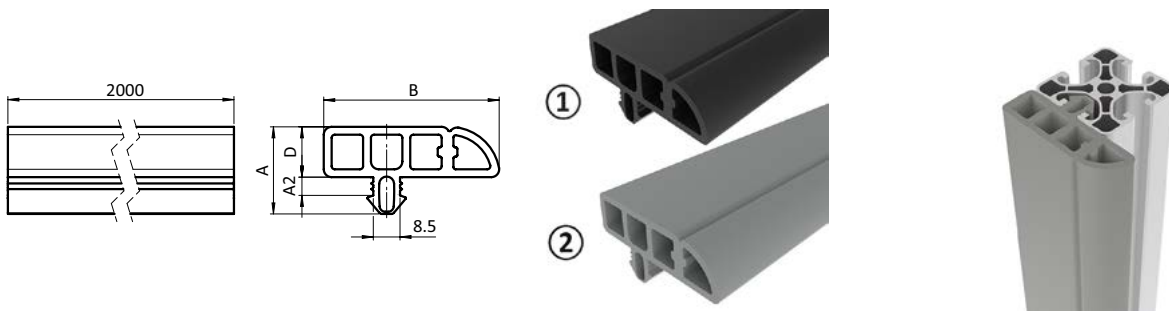


Fig.	Color	A [mm]	D [mm]	B [mm]	Slot	A2 (Profile) [mm]	Weight [g/m]	Profile	Part #
①	Black	28.0	16.0	56.0	8	5.7 (4.5)	453.0	I	092325S01

COVER CAP FOR SIDE AND CORNER PROTECTION PROFILE 40

MODEL	Plastic TPE
DESCRIPTION	To cover the end of the side protection profile 40, slot 8
MATERIAL	Plastic TPE, ≈ 70 Shore A
COLOR	Black, gray
PACK QUANTITY	20 pieces
TIP	Compatible Side Protection Profile 40, Slot 8 see 092324
TIP 2	Other colors on request

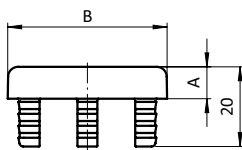
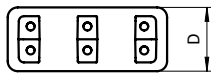


Fig.	Color	A [mm]	D [mm]	B [mm]	Weight [g]	Part #
①	Black	8.0	16.0	40.0	6.5	091385S01

COVER CAP FOR CORNER PROTECTION PROFILE 40

MODEL	Plastic TPE
DESCRIPTION	To cover the end of the corner protection profile 40, slot 8
MATERIAL	Plastic TPE, ≈ 70 Shore A
COLOR	Black, gray
PACK QUANTITY	20 pieces
TIP	Compatible Corner Protection Profile 40, Slot 8 see 092325
TIP 2	Other colors on request

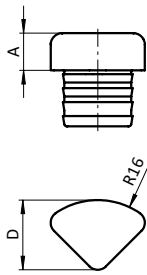
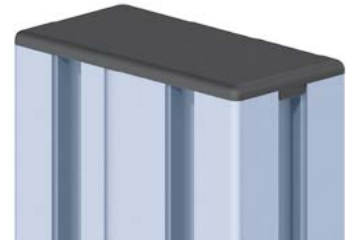
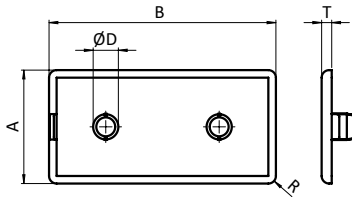


Fig.	Color	A [mm]	D [mm]	Weight [g]	Part #
①	Black	8.0	15.0	2.3	091386S01

COVER CAP FOR 45 MM MODULAR DIMENSION

MODEL	45 mm modular dimension
DESCRIPTION	To cover the end of the profile
MATERIAL	Plastic PA, glass fiber reinforced
COLOR	Black, gray
PACK QUANTITY	100 pieces
SPECIALS	ESD electrostatical discharging, other sizes, other colors on request



Color	Dimensions A x B [mm]	Feature	R [mm]	T [mm]	Slot	ØD [mm]	Weight [g]	Profile	Part #
Black	45 x 60	ESD electrostatical discharging, 1 pin for core hole	3.0	4.0	10	10.8 (10.0)	11.4	B	091017S02

COVER CAP FOR BOREHOLES

DESCRIPTION	To cover boreholes
MATERIAL	Plastic PA
COLOR	Black, gray
PACK QUANTITY	100 pieces
TIP	Other colors on request

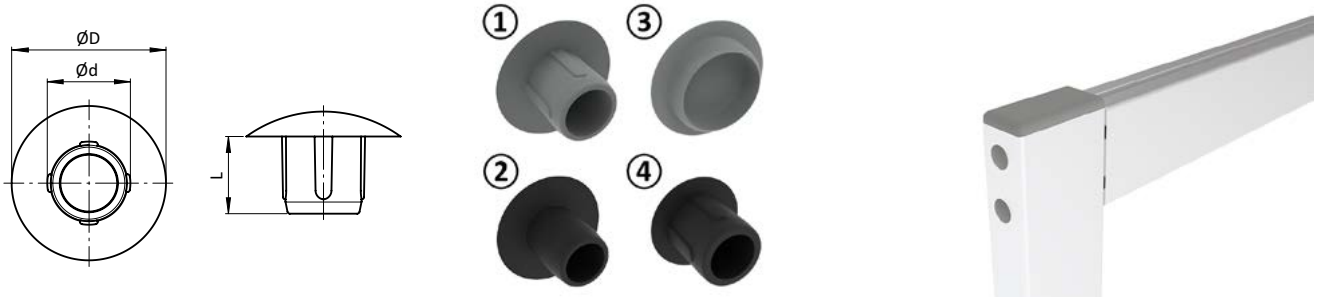
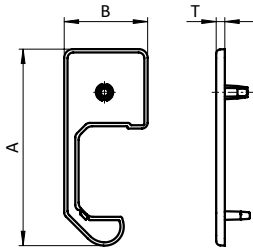


Fig.	Color	L [mm]	ØD [mm]	Ød [mm]	Weight [g]	Profile	Part #
④	Black	5.3	8.2	5.7	0.16	I	091399
②	Black	6.5	13	7.0	0.3	I	091405
②	Gray ≈ RAL 7042	6.5	13	7.0	0.3	I	091405S01
③	Gray ≈ RAL 7042	4	20	15	0.5		091406S01

COVER CAP FOR C-RAIL PROFILE I (SET)

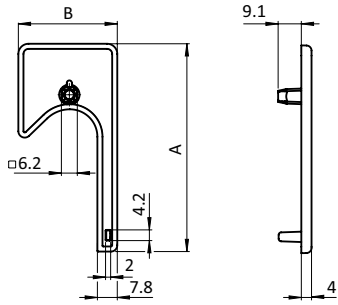
MODEL	Plastic PA
DESCRIPTION	To cover the end of the profile
MATERIAL	Plastic PA, glass fiber reinforced
COLOR	Black
SET	1 cover cap left, 1 cover cap right
PACK QUANTITY	10 sets



T [mm]	Slot	A x B [mm]	Weight [g]	Profile	Part #
3.0	6	68.3 x 29.0	4.0	I	091398S01
4.0	8	92.6 x 38.6	12.0	I	091399S01

COVER CAP FOR C-SLIDE PROFILE I (SET)

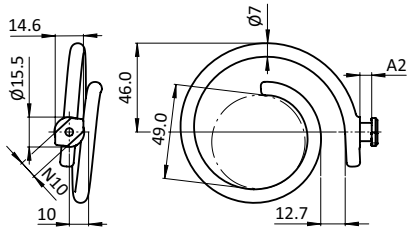
MODEL	Plastic PA
DESCRIPTION	To cover the end of the profile
MATERIAL	Plastic PA, glass fiber reinforced
COLOR	Black
SET	1 cover cap left, 1 cover cap right
PACK QUANTITY	10 sets



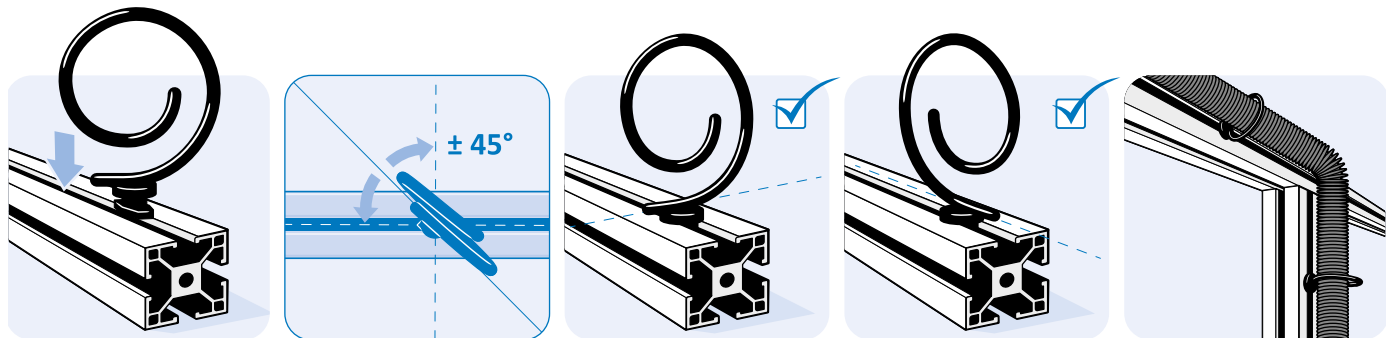
T [mm]	Slot	A x B [mm]	Weight [g]	Part #
4.0	8	81.5 x 38.8	10.0	091401S01

RING CABLE BINDER

MODEL	Plastic PA, Slot 10
DESCRIPTION	For guiding cables both lengthwise and crosswise to aluminum profiles without additional cable ties, simple to insert due to spiral shape; can be mounted into the slot by an eight of a turn
MATERIAL	Plastic PA, glass ball reinforced
COLOR	Black
PACK QUANTITY	100 pieces
SPECIALS	Other colors on request



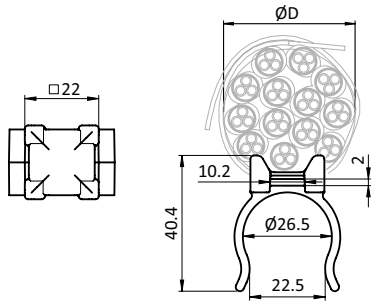
A2 (Profile) [mm]	N	Weight [g]	Profile	Part #
5.9 (6.0)	10	16.0	B	093821N10



2

CROSS CABLE BINDER BLOCK D28 UNIVERSAL

MODEL	For tubular frame profiles
DESCRIPTION	To fix cables along and across aluminum profiles; can be clipped on the tubular frame profile
MATERIAL	Plastic PA, carbon fiber reinforced
COLOR	Black
PACK QUANTITY	100 pieces



Weight [g]

Part #

7.1

093293

HOLDING BRACKET AL D30

MODEL	For roller tracks AL
DESCRIPTION	To mount AL roller track profiles to tubular frame profiles with Ø 30 mm outer diameter, preventing inserts from slipping out
MATERIAL	Steel
SURFACE	Zinc plated
ASSEMBLY SET	1 self-drilling screw DIN 7504 Form N - 3.9 x 16 1 washer DIN EN ISO 7089 (DIN 125) 1 T-slot nut slot 8 - M5 1 screw DIN EN ISO 4762 (DIN 912) - M5 x 14
PACK QUANTITY	10 pieces

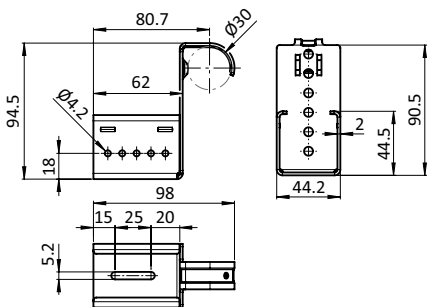
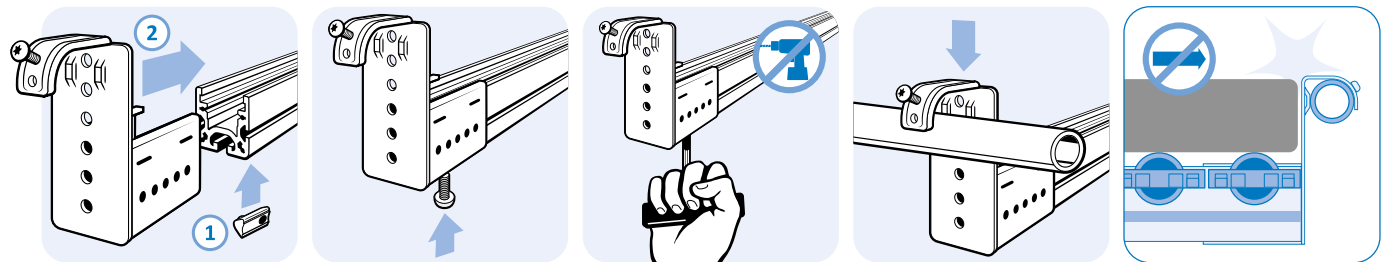


Fig.	Version	Weight [g]	Part #
①	With end stop	194.0	062AHSD30M
②	With end stop, with assembly set	211.0	062AHSD30MS01



VARIABLE HOLDING BRACKET AL D30

MODEL	For roller tracks AL
DESCRIPTION	Transition between roller track profiles with varying inclination, to mount roller track profiles AL at different angles to tubular frame profiles with \varnothing 28 mm outer diameter, preventing inserts from slipping out
MATERIAL	Steel
SURFACE	Zinc plated
ASSEMBLY SET	1 self-drilling screw DIN 7504 Form N - 3.9 x 16 1 washer DIN EN ISO 7089 (DIN 125) 1 T-slot nut slot 8 - M5 1 screw DIN EN ISO 4762 (DIN 912) - M5 x 14
ASSEMBLY SET 2	2 self-drilling screw DIN 7504 Form N - 3.9 x 16 1 washer DIN EN ISO 7089 (DIN 125) 1 T-slot nut slot 8 - M5 1 screw DIN EN ISO 4762 (DIN 912) - M5 x 14
PACK QUANTITY	10 pieces

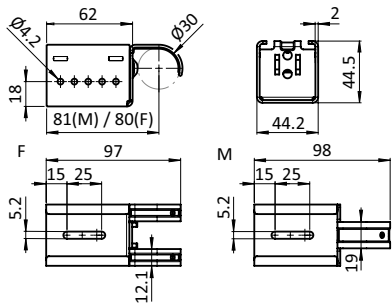
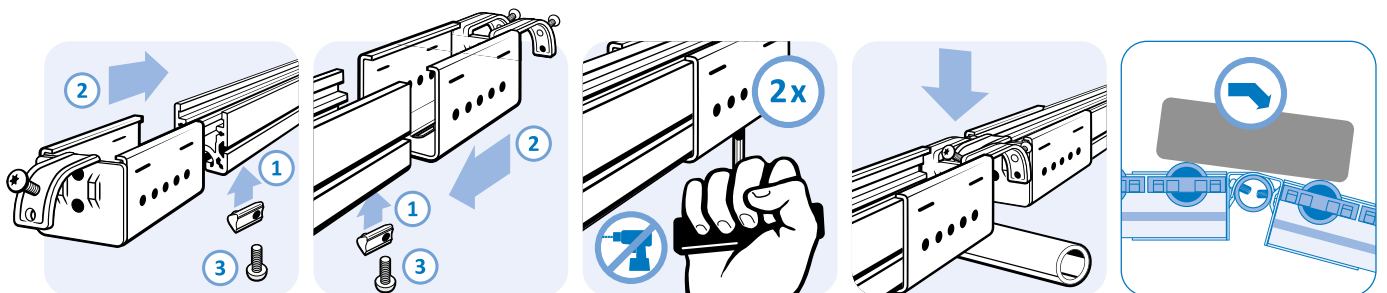


Fig.	Version	Weight [g]	Part #
①	Typ M	161.0	062AYMD30M
②	Typ F	163.0	062AYFD30M
①	Type M with assembly set 1	178.0	062AYMD30MS01
②	Type F with assembly set 2	183.0	062AYFD30MS01



DIGITAL SHOPFLOOR BOARD

Digitalized communication unit:

The premium solution for efficient shopfloor management and increased productivity



- Unique combination of analog/digital applications
- Flexibility thanks to a wide range of IT interfaces
- Integrated power supply via power strip
- Aluminum profile frame with standard 8 slot
- Storage for keyboard, remote control, markers, ...
- Simple and intuitive operation

HIGHLIGHTS

Certainly not a classic **FATH** product, but a testament to how we are always able to think outside the box and identify needs.

The streamlining of processes in production, warehousing and logistics is a key factor for greater productivity – a theme that is also increasingly affecting small and medium-sized companies. **FATH LEAN 4.0** offers a premium solution in the field of digitalization for better integration of work processes within the value chain. With the Digital Shopfloor Board, the work process can be mapped in compressed form and managed efficiently. By displaying the key figures in real time, every employee can grasp the situation and react quickly if necessary. This digital shopfloor management can create greater added

value. Employees feel informed by the resulting transparency and can better integrate themselves into the processes.

The Digital Shopfloor Board consequently replaces planning boards, bulletin boards, posters, and smaller screens. It offers the greatest possible efficiency in everyday operations.

COLLECTION AND PROVISION OF PROCESS DATA



The best of both worlds

Anyone who has previously worked with a classic whiteboard can continue to do so as usual with our digital version. Because a lateral whiteboard is optionally available, which can be written on with board markers as usual and is also magnetic (see description of our whiteboards).

In addition, the Shopfloor Board also becomes a source of power. All common media devices can be powered from the integrated power strip which is equipped with Schuko sockets. The Digital Shopfloor Board can easily display browser-based content, such as LEAN dashboards, without the need for an additional PC.

Together from a single perspective

Regular exchanges between managers and employees create new points of contact in daily interaction. In addition, structured and daily process analysis and the discussion of issues and improvement measures, make it possible to make rapid progress within the company.

A win-win for everyone involved

This greatly reduces losses due to friction, and the rapid intervention and resolution of technical problems leads directly to an improvement in productivity. Needless to say, the scalability of the imported data flows is extensive. This allows the LEAN process to be adapted and optimized at any time.



Get to know it better now!

dsb.fath24.com

FLOOR MARKING TAPE 18

MODEL	Diverse colors
DESCRIPTION	For easy and reliable marking of path boundaries, stairs, parking / storage / working areas etc., self-adhesive; Forklift-resistant and stable floor marking with outstanding adhesive strength, suitable for almost all industrial floors, removable without leaving residue
MATERIAL	Plastic PVC
COLOR	Red, blue
FASTENING	Self-adhesive surface on the backside
PACK QUANTITY	100 meters (2 spools at 50 m)

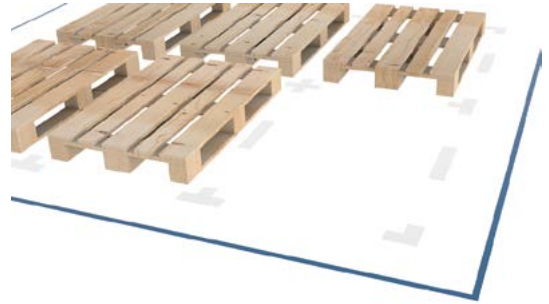
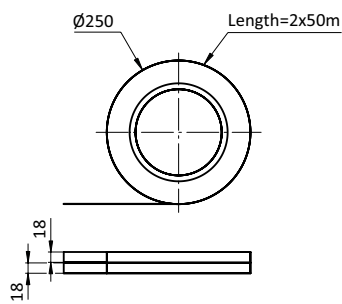
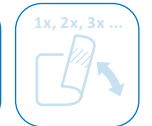
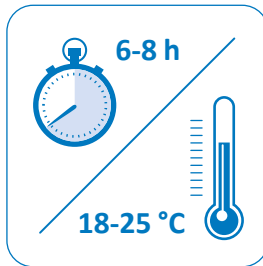


Fig.	Color	Weight [g]	Part #
①	Red ≈ RAL 3020	1300.0	0203T01831
②	Blue ≈ RAL 5017	1300.0	0203T01855



FLOOR MARKING TAPE 50

MODEL	Diverse colors
DESCRIPTION	For easy and reliable marking of path boundaries, stairs, parking / storage / working areas etc., self-adhesive; Forklift-resistant and stable floor marking with outstanding adhesive strength, suitable for almost all industrial floors, removable without leaving residue
MATERIAL	Plastic PVC
COLOR	Yellow, red, blue, green, white, black / yellow, red / white, blue / white
FASTENING	Self-adhesive surface on the backside
PACK QUANTITY	50 meters (spool)

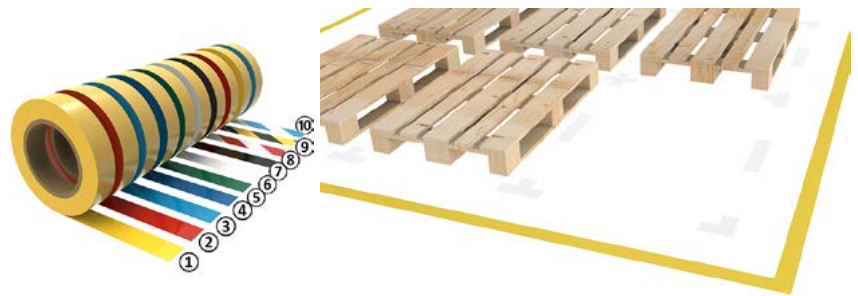
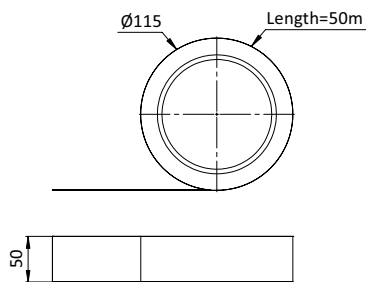
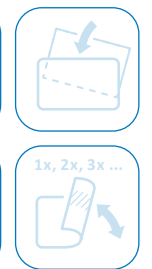
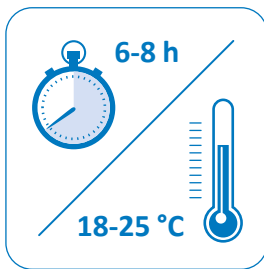


Fig.	Color	Weight [g]	Part #
⑨	Blue / white	1664.0	0203T0505693



FLOOR MARKING T-SHAPE 50

MODEL	Diverse colors
DESCRIPTION	For easy and reliable marking of parking / storage areas etc., self-adhesive; Forklift-resistant and stable floor marking with outstanding adhesive strength, suitable for almost all industrial floors, removable without leaving residue
MATERIAL	Plastic PVC
COLOR	Yellow, red, blue, green, white, blue / white
FASTENING	Self-adhesive surface on the backside
PACK QUANTITY	40 pieces
TIP	Suitable Floor Marking Tape 50 see 0203T05015

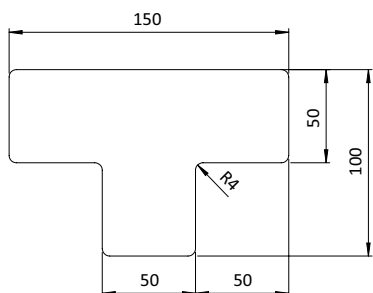


Fig.	Color	Weight [g]	Part #
⑥	Blue ≈ RAL 5012 / white ≈ RAL 9003	7.0	0203HT0505693



FLOOR MARKING L-SHAPE 50

MODEL	Diverse colors
DESCRIPTION	For easy and reliable marking of parking / storage areas etc., self-adhesive; Forklift-resistant and stable floor marking with outstanding adhesive strength, suitable for almost all industrial floors, removable without leaving residue
MATERIAL	Plastic PVC
COLOR	Yellow, red, blue, green, white, blue / white
FASTENING	Self-adhesive surface on the backside
PACK QUANTITY	40 pieces
TIP	Suitable Floor Marking Tape 50 see 0203T05015

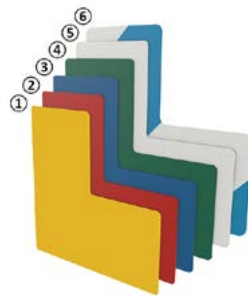
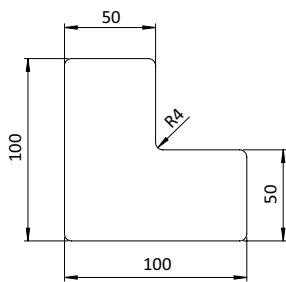


Fig.	Color	Weight [g]	Part #
⑥	Blue ≈ RAL 5012 / white ≈ RAL 9003	5.0	0203HL0505693



FLOOR MARKING I-SHAPE 50

MODEL	Diverse colors
DESCRIPTION	For easy and reliable marking of parking / storage areas etc., self-adhesive; Forklift-resistant and stable floor marking with outstanding adhesive strength, suitable for almost all industrial floors, removable without leaving residue
MATERIAL	Plastic PVC
COLOR	Yellow, red, blue, green, white, blue / white
FASTENING	Self-adhesive surface on the backside
PACK QUANTITY	40 pieces
TIP	Suitable Floor Marking Tape 50 see 0203T05015

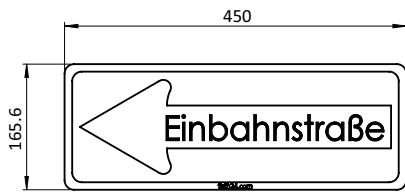


Fig.	Color	Weight [g]	Part #
⑥	Blue ≈ RAL 5012 / white ≈ RAL 9003	9.0	0203HI0505693



GERMAN ONE WAY ROAD FLOOR SIGN "EINBAHNSTRASSE", POINTING LEFT

MODEL	Mandatory sign
DESCRIPTION	For fast and reliable safety marking according to ASR A1.3 / DIN EN ISO 7010, self-adhesive; Easy recognition from long distance; Forklift-resistant and slip-proof floor sign with outstanding adhesive strength, suitable for almost all industrial floors, removable without leaving residue
MATERIAL	Plastic PVC
COLOR	Blue / white / black
FASTENING	Self-adhesive surface on the backside
PACK QUANTITY	1 piece



Weight [g]

Part #

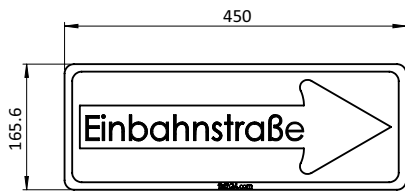
98.0

0203SM09



GERMAN ONE WAY ROAD FLOOR SIGN "EINBAHNSTRASSE", POINTING RIGHT

MODEL	Mandatory sign
DESCRIPTION	For fast and reliable safety marking according to ASR A1.3 / DIN EN ISO 7010, self-adhesive; Easy recognition from long distance; Forklift-resistant and slip-proof floor sign with outstanding adhesive strength, suitable for almost all industrial floors, removable without leaving residue
MATERIAL	Plastic PVC
COLOR	Blue / white / black
FASTENING	Self-adhesive surface on the backside
PACK QUANTITY	1 piece



Weight [g]

Part #

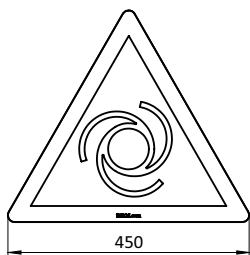
98.0

0203SM10



WARNING AUTOMATIC STARTUP FLOOR SIGN

MODEL	Warning and notice sign
DESCRIPTION	For fast and reliable safety marking according to ASR A1.3 / DIN EN ISO 7010, self-adhesive; Easy recognition from long distance; Forklift-resistant and slip-proof floor sign with outstanding adhesive strength, suitable for almost all industrial floors, removable without leaving residue
MATERIAL	Plastic PVC
COLOR	Yellow / black
FASTENING	Self-adhesive surface on the backside
PACK QUANTITY	1 piece



Weight [g]

Part #

104.0

0203SW04



WARNING DANGER OF FALLING FLOOR SIGN

MODEL	Warning and notice sign
DESCRIPTION	For fast and reliable safety marking according to ASR A1.3 / DIN EN ISO 7010, self-adhesive; Easy recognition from long distance; Forklift-resistant and slip-proof floor sign with outstanding adhesive strength, suitable for almost all industrial floors, removable without leaving residue
MATERIAL	Plastic PVC
COLOR	Yellow / black
FASTENING	Self-adhesive surface on the backside
PACK QUANTITY	1 piece



Weight [g]

Part #

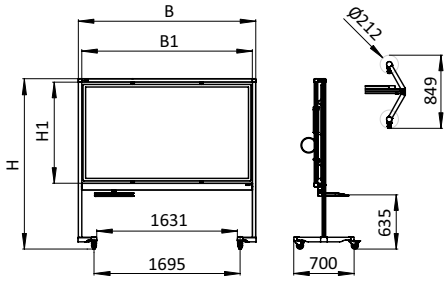
104.0

0203SW05



DIGITAL SHOPFLOOR BOARD

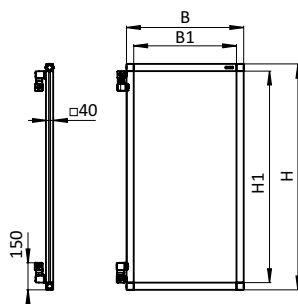
MODEL	Aluminum
DESCRIPTION	<p>For flexible, digital shopfloor management; board with touchscreen display</p> <p>Robust profile frame 40 x 40 mm, front side closed, on the side with all-round slot 8 to mount add-on parts</p> <p>For mobile use equipped with four swivel casters for moving, incl. system brake for securing against unintended movement</p> <p>With shelf for keyboard, remote control and pens</p> <p>Via integrated power supply incl. cable routing socket strip for power supply of media devices</p> <p>Full flexibility due to various IT connections</p> <p>Features touchscreen display:</p> <p>Screen diagonal: 217.4 cm</p> <p>Panel technology: IPS</p> <p>Physical resolution: 3,840 x 2,160 (4K UHD)</p> <p>Aspect ratio: 16:9</p> <p>Brightness: 400 cd/m²</p> <p>Viewing angle: horizontal / vertical 178° / 178°, right / left 89° / 89°, up / down: 89° / 89°</p> <p>Glass hardness grade: 7H</p> <p>Touch: stylus, finger, glove</p> <p>Built-in web browser and file manager, wireless connectivity with Windows / iOS / Android devices possible</p> <p>Max. Operating time: 24/7</p>
MATERIAL	<p>Profile frame: Aluminum</p> <p>Wheel body: Plastic PP</p> <p>Tread: Plastic TPE</p>
SURFACE	<p>Profile frame: Anodized</p> <p>Touchscreen display: USB</p>
COLOR	<p>Profile frame: Alu color</p> <p>Display housing: Black</p> <p>Wheel body: Gray ≈ RAL 7001</p> <p>Tread: Gray ≈ RAL 7031</p>
OPERATING VOLT-AGE / FREQUENCY	100 V, AC - 240 V, AC / 50 Hz
POWER INPUT	359 W
OPERATING TEM-PERATURE	0 - 40 °C
PACK QUANTITY	1 piece
TIP	<p>Swivel casters as ESD electrostatically discharging version on request</p> <p>Touchscreen display manuals: Guide to commissioning, safety instructions</p>
TIP 2	Compatible Enamel Folding Board Wing see 02063650
INPUTS	<p>VGA analog video input</p> <p>3x HDMI digital video input</p> <p>Mini jack audio input</p>
INTERFACES	<p>WiFi: via separate W-LAN module OWM002 - W-LAN dual bandwidth 2.4 GHz / 5 GHz, W-LAN standard: IEEE 802.11 a/b/g/n/ac</p> <p>Bluetooth support 2.1 / 3.0 / 4.2 / 5.0</p> <p>6 USB ports</p> <p>2 RJ45 (LAN) ports</p>
OUTPUTS	<p>Optical S/PDIF audio output</p> <p>Speakers: 2 x 16W</p>



B [mm]	H [mm]	B1 [mm]	H1 [mm]	Profile	Weight [kg]	Part #
2059.0	1977.0	1979.0	1173.0	I	98.4	02063D2000M

ENAMEL FOLDING BOARD WING WITH DOUBLE FRICTION JOINTS (SET)

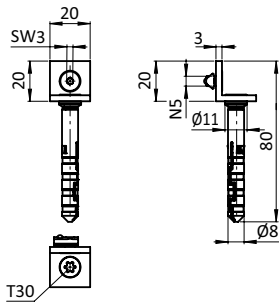
MODEL	Double side enamel coating
DESCRIPTION	Folding board wing with double sided enamel coating for writing on, dry wipeable, magnetic; Resistant enamelled surface, durable against mechanical and chemical influences; Equipped with double friction joints to extend the Digital Shopfloor Board, or another mounting on a profile 40 x 40 mm with slot 8; Profile frame 40 x 40 mm, without slot on the front and back side, circumferential slot 8 on the side for mounting accessories
MATERIAL	Board: MDF, steel Profile frame: Aluminum Friction joints: Aluminum die-cast Cover caps: Plastic Screws: Steel Washers: Steel Centering plates: Aluminum die-cast T-slot nuts: Steel T-slot feet: Plastic
SURFACE	Board: Enamelled Profile frame: Anodized Friction joints: Powder coated Screws: Zinc plated Washers: Zinc plated Centering plates: Alu color T-slot nuts: Zinc plated
COLOR	Board: White Profile frame: Alu color Friction joints: Alu color Cover caps: Gray ≈ RAL 7042 Centering plates: Alu color T-slot feet: Black
SET	1 enamel folding board wing with double friction joints 2 cover caps 2 screws DIN EN ISO 4762 (DIN 912) - M8 x 45 (for T-slot nut) 2 screws DIN EN ISO 4762 (DIN 912) - M8 x 50 (for core hole) 2 washers 8-FSt 2 centering plates 2 T-slot nuts - slot 8 - M8 2 T-slot feet
PACK QUANTITY	1 set
TIP	Compatible Digital Shopfloor Board see 02063D2000M



B [mm]	H [mm]	B1 [mm]	H1 [mm]	Profile	Weight [kg]	Part #
650.0	1253.0	570.0	1173.0	I	16.0	02063650

FLOOR MOUNTING FOR GUIDING RAIL FIFO (SET)

MODEL	Steel
DESCRIPTION	To additionally mount guiding rails FIFO to the floor
MATERIAL	Angle: Steel Screw: Steel T-slot nut: Steel Anchors: Plastic
SURFACE	Angle: Powder coated Screws: Zinc plated T-slot nuts: Zinc plated
COLOR	Angle: Alu color Anchors: Yellow
SET	2 steel connection angle 20, 2 screws DIN 7991 - M5 x 8; 2 T-slot nuts - slot 5 - M5, 2 screws 5 x 60, 2 anchors 8 x 60
PACK QUANTITY	1 set



Weight [g]

Part #

25.0

093WU201A501

PART NUMBER INDEX

FATH

02		093293	118	096160S03	26	098S125G4045NESD	18
0203HI0505693	127	093821N10	117	096P0131306M4	27	098S125GN	17
0203HLO505693	126	093CA081119S01	96	096P0131306 M4F	28	098S125GNESD	17
0203HT0505693	125	093CAU081A128S01	93	096P0131306M5	27	098S125T4045N	18
0203SM09	128	093CID14S119S01	97	096P0131306M5F	28	098S125T4045NESD	18
0203SM10	129	093CID14S199S01	98	096P0131306M6	27	098S125TN	17
0203SW04	130	093CIUD141060S01	101	096P0131306M6F	28	098S125TNESD	17
0203SW05	131	093CIUD141060S02	102	096P0131306M8	27	098S125U4045N	18
0203T01831	123	093CIUD141SA128S01	94	096P0131306M8F	28	098S125U4045NESD	18
0203T01855	123	093CIUD141SA208S01	95	098F075TN	21	098S125UN	17
0203T0505693	124	093GB60SI10A8SW13	50	098F075TNESD	21	098S125UNESD	17
02063D2000M	133	093GB74SI10A12SW19	50	098F200AH129105	22	098S200AH129105	19
02063650	134	093GI72SI10A8SW17	50	098F200EH129105	22	098S200AHD129105	20
		093T40401008SS01	10	098F200EH129105ESD	22	098S200EH129105	19
04		093W4010N08S01	36	098F200GH129105	22	098S200EH129105ESD	19
041LL065K91M0840MS01	67	093W407N08	38	098F200UH129105	22	098S200EHD129105	20
		093W407N08R	38	098F200UH129105ESD	22	098S200EHD129105ESD	20
06		093W407N08S01	38	098G4080L85168A	12	098S200GH129105	19
061FFZ40LN08	65	093W4510N10S01	37	098G40L85128A	11	098S200GHD129105	20
061FFZ40LN10	66	093W8104N06	29	098S075TDN	16	098S200UH129105	19
062AHSD30M	119	093W8203N05	29	098S075TDNESD	16	098S200UH129105ESD	19
062AHSD30MS01	119	093W8303N08	29	098S075TN	17	098S200UHD129105	20
062AQS01	105	093W8384N08	29	098S075TNESD	17	098S200UHD129105ESD	20
062AYFD30M	120	093W8404N08	29	098S080A4045N	18	099B0811S01	54
062AYFD30MS01	120	093W8421N10	29	098S080AN	17	099B0811S02	52
062AYMD30M	120	093WA202S02	31	098S080G4045N	18	099B0811S03	51
062AYMD30MS01	120	093WA203S02	30	098S080G4045NESD	18	099B0811S04	53
062CIAK	104	093WA302S03	33	098S080GN	17	099B1017S01	54
		093WA303S05	32	098S080GNESD	17	099B1017S02	52
09		093WA407	39	098S080T4045N	18	099J 08S08S03	61
091017S02	113	093WC406N08VS01	43	098S080T4045NESD	18	099J08M08	62
091381S01	103	093WC407N08VS01	44	098S080TN	17	099J08S08	62
091385S01	111	093WC456N10VS01	45	098S080TNESD	17		
091386S01	112	093WC457N10VS01	46	098S080U4045N	18	3	
091398S01	115	093WU201AS01	135	098S080U4045NESD	18	340ME566	100
091399	114	093WW203N05	48	098S080UN	17	340ME567	100
091399S01	115	093WW203N05S01	48	098S080UNESD	17	340ME571	100
091401S01	116	093WW203N06R	48	098S100A4045N	18	340ME575	99
091405	114	093WW203N06RS	48	098S100AN	17		
091405S01	114	093WW204N05	49	098S100G4045N	18	6	
091406S01	114	093WW204N05S01	49	098S100G4045NESD	18	6FA40ND40L695N08	83
092012S01	69	093WW204N06R	49	098S100GN	17	6FA40ND80H695N08	87
092017S05	69	093WW204N06RS	49	098S100GNESD	17	6FA40ND80M695N08	85
092018S05	70	093WWCA18321S01	47	098S100T4045N	18	6FA40NH370S40N08	79
092019S01	70	096000S16	24	098S100T4045NESD	18	6FA40NL370S40N08	77
092033S05	108	096006D36S01	56	098S100TN	17	6FA80NH370S80N08	81
092045S07	106	096006D76S02	23	098S100TNESD	17	6FDG40ND40L695N08	83
092280	107	096008D36S03	55	098S100U4045N	18	6FDG40ND80H695N08	87
092280S01	107	096010S10	58	098S100U4045NESD	18	6FDG40ND80M695N08	85
092280S02	107	096020S46	57	098S100UN	17	6FDG40NH370S40N08	79
092307S02	71	096020S74	57	098S100UNESD	17	6FDG40NL370S40N08	77
092308S02	71	096020S92	40	098S125A4045N	18	6FDG80NH370S80N08	81
092324S01	109	096036E	25	098S125AN	17	6FG40ND40L695N08	83
092325S01	110	096038E	25	098S125G4045N	18	6FG40ND80H695N08	87
092550	68						

6FG40ND80M695N08	85
6FG40NH370S40N08	79
6FG40NL370S40N08	77
6FG80NH370S80N08	81
6FMVND40L695N08	83
6FMVND80M695N08	85
6FMVNH370S40N08	79
6FMVNL370S40N08	77
6TD283PT74	89
6TD283PT91	89
6THAPP097N	72
6THAPP105AIR	72
6THAPP110PRO	72
6THM20	73
6THMIC100GO	72
6THSAM101A7	72
6THSAM105N	72
6THSAM105S4	72
6TM840NL12574S01	90
6TM840NL12591S01	90
6TM840NPT74	88
6TM840NPT91	88

ALPHABETICAL INDEX

A	
Adjustable Friction Joint B40L for System Arm (Set)	66
Adjustable Friction Joint I40L for System Arm (Set)	65
Alu Connection Angle 20	30
Alu Connection Angle 20 x 40	31
Alu Connection Angle 30	32
Alu Connection Angle 30 x 60	33
Alu Connection Angle B45 M Length/Cross (Set)	37
Alu Connection Angle I40 M Length/Cross (Set)	36
B	
Ball Insert D24	105
Bearing block for support roller I D32 (Set)	104
Bearing Kit 1 Roller Shaft Ø 14 for C-slide Profile I (Set)	97
Bearing Kit 3 Rollers Shaft Ø 14 for C-slide Profile I (Set)	98
Bearing Kit PA 1 Roller Slot Ø 14 for C-slide Profile I (Set)	96
Bearing Unit 1 Roller Centric Shaft Ø 14	102
Bearing Unit 1 Roller Eccentric Shaft Ø 14	101
Bearing Unit 1 Roller Shaft Ø 14 for C-Rail-Profile I	94
Bearing Unit 3 Rollers Shaft Ø 14 for C-Rail-Profile I	95
Bearing Unit PA 1 Roller for C-Rail-Profile I Slot Ø 14	93
Bridge Handle B	71
C	
Central Butt Connector B 180° +/-45°	54
Central Butt Connector I 180° +/-45°	53
Central Connector B 90° +/-45°	52
Central Connector I 90° +/-45°	51
Connecting Strip 180 B, Slot 8	58
Connecting Strip 180 I, Slot 8	57
Corner Connector 40, 2D with Cable Passage (Set)	43
Corner Connector 40, 3D with Cable Passage (Set)	44
Corner Connector 45, 2D with Cable Passage (Set)	45
Corner Connector 45, 3D with Cable Passage (Set)	46
Corner Protection Profile 40, Slot 8	110
Cover and Reduction Profile I Slot 5	106
Cover and Reduction Profile I Slot 6	108
Cover and Reduction Profile M45 Slot 8	107
Cover Cap for 45 mm Modular Dimension	113
Cover Cap for Boreholes	114
Cover Cap for Corner Protection Profile 40	112
Cover Cap for C-rail Profile I (Set)	115
Cover Cap for C-slide Profile I (Set)	116
Cover Cap for Frame Corner Connector 18 x 32	47
Cover Cap for Handle	70
Cover Cap for Side and Corner Protection Profile 40	111
Cover Cap for Zinc Connection Angle I 40	39
Cross Cable Binder Block D28 Universal	118
Cube Connector 20, 2D	48
Cube Connector 20, 3D	49
D	
Digital Shopfloor Board	132
Double System Arm I40H 695 (Set)	84

Double System Arm I40L 695 (Set)	82
Double System Arm I80H 695 (Set)	86
Double-T-slot Nut I Slot 8 for Double Adapter D30 (Set)	23
Drill / Driver Holder FX D50 for Profile 40 / 45, Slot 8 / 10	90
E	
Enamel Folding Board Wing with Double Friction Joints (Set)	134
F	
Fixed Caster Ø 75	21
Floor Marking I-shape 50	127
Floor Marking L-shape 50	126
Floor Marking Tape 18	123
Floor Marking Tape 50	124
Floor Marking T-shape 50	125
Floor Mounting for Guiding Rail FIFO (Set)	135
G	
German One Way Road Floor Sign "Einbahnstraße", Pointing Left	128
German One Way Road Floor Sign "Einbahnstraße", Pointing Right	129
Gusseted Connection Angle AL 2 Hole, 1 Slot Version	29
H	
Handle	69
Heavy-duty Fixed Caster Ø 200 with Mounting Plate 40 / 45	22
Heavy-duty Swivel Caster Ø 200 with Mounting Plate 40 / 45	19
Heavy-duty Swivel Caster Ø 200 with System Brake and Mounting Plate 40 / 45	20
Holding Bracket AL D30	119
L	
Locking Lever for Adjustable Friction Joint (Set)	67
M	
Magnet for Tablet Mount FRAME (Set)	73
P	
Packing Tape Hand Dispenser Holder FX for Profile 40 / 45, Slot 8 / 10	88
Packing Tape Hand Dispenser Holder FX for Tubes D28 / D30	89
Profile Connector 90° B / M30, Slot 8 (Set)	61
Profile Connector 90° M45, Slot 8 (Set)	62
Profile Mount Base 40 - 85 x 128	11
Profile Mount Base 80 - 85 x 168	12
R	
Ring Cable Binder	117
Roller for Shafts Ø 10	99
Roller for Shafts Ø 14	100
Roll-In Double T-Slot Nut 13.7 x 7.0 mm	24
Roll-in Double T-slot Nut 14.0 x 5.2 mm (Set)	26
Roll-in Double T-slot Nut for Automatic Connector I, Slot 8	56
Roll-in Double T-slot Nut for Universal Connector I, Slot 8	55
Roll-in Slot Nut 13.0 x 13.0 x 6.0 mm	27
Roll-in Slot Nut 13.0 x 13.0 x 6.0 mm with Spring Leaf	28
Roll-in T-slot Nut for Support Bracket 160	40

ALPHABETICAL INDEX

S	
Side Protection Profile 40, Slot 8	109
Swivel Caster Ø 75	15
Swivel Caster Ø 75 with System Brake	16
Swivel Caster Ø 80 / 100 / 125	17
Swivel Caster Ø 80 / 100 / 125 with Mounting Plate 40 / 45	18
System Arm I40H 370 (Set)	78
System Arm I40L 370 (Set)	76
System Arm I80H 370 (Set)	80
System Handle Bent	68
T	
Tablet Mount FRAME	72
Threaded Connection Stud for Cube Connector	50
Transport and Base Plate I ZN 40 x 40, Side M10, Powder Coated	10
T-slot Nut 19.5 x 10.6 mm, Step Height 5.1 mm	25
V	
Variable Holding Bracket AL D30	120
W	
Warning Automatic Startup Floor Sign	130
Warning Danger of Falling Floor Sign	131
Wiper and Lubricator Ø 14 for Roller Profile I Slot 8 (Set)	103
Z	
Zinc Connection Angle I 40	38

TOGETHER WE MAKE THINGS SUSTAINABLE.

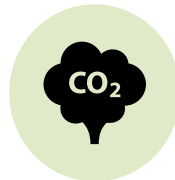


In your hands you are holding an analog copy of our catalog, which we were happy to have printed for you. We have been striving long to act as sustainably as possible, and of course we know that the most resource-saving catalog is the one that doesn't have to be produced at all. But we also know the desire to hold something in one's hands, to leaf through the pages, to take notes - and also to experience the feel and smell of it. That's why **FATH** will continue to provide you with printed catalogs. When it comes to printing, we consistently focus on sustainable solutions and the conscious use of resources in order to keep our ecological footprint as small as possible:



FSC® certified (FSC MIX)

The printing company that produces our catalogs is FSC®-certified and has undertaken to implement and advance all requirements and goals of FSC®.



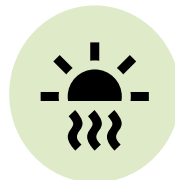
CO₂-neutral

This catalog is printed CO₂-neutral. The resulting emissions are being compensated.



Organic & vegan

The inks used are manufactured based on renewable raw materials and are biodegradable and vegan. In the printing process, thanks to modern equipment, the use of alcohol is completely avoided.



Supported by the sun

Our printing partner – just like **FATH** in Spalt – uses the power of the sun. Production is powered by solar energy.

Certified according to DIN EN ISO 9001 (2015)



The **FATH** quality managementsystem is certified. The REACH regulation is complied with consistently. **FATH** has the status of AEO (Authorized Economic Operator), which guarantees exceptional reliability and trustworthiness and facilitates the international movement of goods through simplified customs clearance. Our code of value is stated on certificates that confirm the exclusive use of renewable energies and our commitment to the rules of the "Honourable Merchant". And you as a customer enjoy the benefit!

FATH GmbH
New Products 23|01

FATH GmbH | Gewerbepark Hügelmühle 31, 91174 Spalt, Germany
P: +49 9175 7909-0 | info.de@fath24.com | fath24.com

Place of Execution: 91174 Spalt, Germany
Trade Register: Amtsgericht Nürnberg, Department B, No. 10906
Managing Directors: Wido **FATH**, Mirko Jan **FATH**, Till Zupancic
Tax No.: 241/115/40086, VAT No.: DE 133 541 653

© **FATH GmbH**

Reprinting or other duplication, including excerpts, is possible only with the express permission of **FATH GmbH**.
We reserve the right to make technical modifications at any time. All indications are without guarantee.
Drawings and models are the intellectual property of **FATH GmbH**.
Our current Terms and Conditions of Sale, Delivery and Payment apply.

PIM Programming: Dr. Frank Schütz, Geek in Business GmbH
Illustrations: Andreas Teindl, Dipl. Designer, Illustrator IO

FATH GmbH
Gewerbepark
Hügelmühle 31
91174 Spalt
Germany

P: +49 9175 7909-200
F: +49 9175 7909-29
info.de@fath24.com

FATH Inc.
6533 Hazeltine National
Drive, Suite 3
Orlando, FL 32822
USA

P: +1 407 601-5900
F: +1 407 601-5905
info.us@fath24.com

**FATH Machine Components
(Shanghai) Co., Ltd.**
Building B5, No. 915 Qian
Ming East Road
201501 Jinshan / Shanghai
PR China

P: +86 21 5774 4520
info.cn@fath24.com

FATH Kft.
Gyár u. 2
2040 Budaörs
Hungary

P: +36 23 880-977
F: +36 23 880-978
info.hu@fath24.com

FATH Components Ltd.
6 Pegasus Court, North Lane
Aldershot
Hampshire
GU12 4QP
Great Britain

P: +44 1252 346610
info.gb@fath24.com

FATH Inc. S.A. de C.V.

Av. Central 230, Int. 140
Los Lermas
67188 Guadalupe, N.L.
Mexico

P: +52 81 3424-1428
info.mx@fath24.com

**FATH do Brasil Componentes
Industriais Ltda**
Rua Santa Mônica, 1106
Parque Industrial San José
Cotia - SP
06715 - 865
Brazil

P: +55 11 2898-9753
info.br@fath24.com

FATH BV
Rudolf Dieselweg 14
5928 RA Venlo
The Netherlands

P: +31 773333555
F: +31 773333550
info.nl@fath24.com

FATH Schweiz AG
Driesbühlstraße 11
8808 Pfäffikon
Switzerland

P: +41 79 577 61 97
info.ch@fath24.com

Flowsort BV
Rudolf Dieselweg 14
5928 RA Venlo
The Netherlands

P: +31 850761339
info.@flow-sort.com

Bestell-Nr. 000387



167712